

Roadmap for Nondestructive Evaluation of Reactor Pressure Vessel Research and Development by the Light Water Reactor Sustainability Program

September 2012

**Prepared by
Cyrus Smith
Randy Nanstad
Dwight Clayton
Kathryn Matlack
Pradeep Ramuhalli
Glenn Light**

DOCUMENT AVAILABILITY

Reports produced after January 1, 1996, are generally available free via the U.S. Department of Energy (DOE) Information Bridge.

Web site <http://www.osti.gov/bridge>

Reports produced before January 1, 1996, may be purchased by members of the public from the following source.

National Technical Information Service
5285 Port Royal Road
Springfield, VA 22161
Telephone 703-605-6000 (1-800-553-6847)
TDD 703-487-4639
Fax 703-605-6900
E-mail info@ntis.gov
Web site <http://www.ntis.gov/support/ordernowabout.htm>

Reports are available to DOE employees, DOE contractors, Energy Technology Data Exchange (ETDE) representatives, and International Nuclear Information System (INIS) representatives from the following source.

Office of Scientific and Technical Information
P.O. Box 62
Oak Ridge, TN 37831
Telephone 865-576-8401
Fax 865-576-5728
E-mail reports@osti.gov
Web site <http://www.osti.gov/contact.html>

This report was prepared as an account of work sponsored by an agency of the United States Government. Neither the United States Government nor any agency thereof, nor any of their employees, makes any warranty, express or implied, or assumes any legal liability or responsibility for the accuracy, completeness, or usefulness of any information, apparatus, product, or process disclosed, or represents that its use would not infringe privately owned rights. Reference herein to any specific commercial product, process, or service by trade name, trademark, manufacturer, or otherwise, does not necessarily constitute or imply its endorsement, recommendation, or favoring by the United States Government or any agency thereof. The views and opinions of authors expressed herein do not necessarily state or reflect those of the United States Government or any agency thereof.

Computational Science and Engineering Division

**ROADMAP FOR NONDESTRUCTIVE EVALUATION
OF REACTOR PRESSURE VESSEL RESEARCH AND DEVELOPMENT
BY THE LIGHT WATER REACTOR SUSTAINABILITY PROGRAM**

Cyrus Smith
ORNL Computational Science and Engineering Division

Dr. Randy Nanstad
ORNL Materials Science and Technology Division

Dwight Clayton
ORNL Measurement Science and Systems Engineering Division

Kathryn Matlack
Georgia Institute of Technology

Dr. Pradeep Ramuhalli
Pacific Northwest National Laboratory

Dr. Glenn Light
Southwest Research Institute

Date Published: September 2012

Prepared by
OAK RIDGE NATIONAL LABORATORY
Oak Ridge, Tennessee 37831-6283
managed by
UT-BATTELLE, LLC
for the
US DEPARTMENT OF ENERGY
under contract DE-AC05-00OR22725

CONTENTS

List of Figures	iv
List of Tables	v
Acknowledgments.....	vi
Executive Summary	vii
1. Introduction.....	1
1.1 Background	1
1.2 Report Organization.....	3
2. Problem Statement.....	4
2.1 Introduction to Reactor Pressure Vessel Embrittlement	4
2.2 Reactor Pressure Vessels, Materials, and Operating Conditions	4
2.3 Mechanical Properties of RPV Materials.....	4
2.4 Effects of Neutron Irradiation of RPV Materials.....	6
2.5 Radiation Damage Mechanisms.....	7
2.6 Broad Issues Facing Determination with NDE—Mechanisms and Engineering Practice.....	11
3. NDE for Reactor Pressure Vessels: Current State of the Art.....	14
3.1 NDE Technique Feasibility Overview	14
3.2 Promising NDE Technologies for Detection of Embrittlement in RPVs.....	17
3.2.1 Nonlinear Ultrasonic.....	17
3.2.2 Magnetic Barkhausen Effect.....	19
3.2.3 Thermoelectric Power	20
3.2.4 Other Electromagnetic NDE Methods	21
3.3 Promising NDE Technologies for Detection of Defects in RPVs	21
4. NDE Research Roadmap	23
4.1 Short-Term Implementation Strategy	25
4.1.1 Assemble Comprehensive, Well-Characterized Sample Set for NDE Research – Priority 1	25
4.1.2 Evaluate, Research, and Develop Candidate NDE Techniques for RPV Microstructure Characterization – Priority 1	25
4.1.3 Establishment of NDE Modeling Efforts – Priority 2.....	25
4.1.4 Integration of MAaD Pathway RPV Lifetime Modeling with NDE Modeling Effort – Priority 2	26
4.1.5 Short-Term Implementation Notional Milestones and Budget.....	26
4.2 Long-Term Implementation Strategy.....	27
4.2.1 Long-Term Implementation Notional Milestones and Budget	27
5. Conclusions.....	28
6. References.....	30
Appendix A: List of Attendees for LWRS NDE RPV R&D Roadmap Workshop	36
Appendix B: LWRS NDE RPV R&D Workshop Agenda	37
Appendix C: Summary of DOE LWRS NDE Workshop at ORNL on Non-Destructive Evaluation Methods for Nuclear Reactor Pressure Vessels	38

LIST OF FIGURES

Fig. 1. Pressure vessel steels exhibit a rapid transition from brittle to ductile behavior by measuring the energy to break a Charpy V-notch specimen under impact loading.....	5
Fig. 2. Large compact specimens of 11 different heats of steel that were tested and the results used to construct a lower bound curve of K_{Ic} vs temperature normalized to the RT_{NDT}	6
Fig. 3. Schematic diagrams depicting (<i>left</i>) how the irradiation-induced strength increase results in an upward shift in the Charpy impact toughness transition temperature, and (<i>right</i>) the significant role of copper content towards increasing radiation sensitivity.....	7
Fig. 4. Diagram illustrating the multiphysics, multiscale nature of irradiation embrittlement.	8
Fig. 5. Development of the TTS embrittlement model includes matrix features and copper-rich precipitates (top), flux effects (middle), and fitting to surveillance data for both BWRs and PWRs (bottom).	9
Fig. 6. Schematic diagram showing potential drawback of performing NDE measurements at a fixed temperature.	12
Fig. 7. Experimental schematic for typical laboratory NLU measurement on Charpy-type samples.....	18
Fig. 8. Measurements of the nonlinear ultrasonic parameter on RPV steel over neutron fluence.	18
Fig. 9. Schematic of MBN measurement system.....	19
Fig. 10. Sizing data from Kopp et al. [97].	22

LIST OF TABLES

Table 1. Westinghouse feasibility comments on various NDE techniques.....	15
Table 2. KAERI feasibility comments on various NDE techniques.....	15
Table 3. Project GRETE feasibility comments on various NDE techniques.....	16

ACKNOWLEDGMENTS

The authors would like to express our appreciation to the workshop presenters who shared their technical expertise and experience with the workshop participants to set the stage for the brainstorming session. The authors would also like to express our thanks to the attendees for their participation in the workshop and for continuing discussions following the workshop. Finally, I wish to acknowledge the contributions to this report by my fellow authors: Randy Nanstad, Robert Odette, Katie Matlack, Pradeep Ramuhalli, Glenn Light, and Dwight Clayton.

EXECUTIVE SUMMARY

The Department of Energy's (DOE's) Light Water Reactor Sustainability (LWRS) Program is a five year effort that works to develop the fundamental scientific basis to understand, predict, and measure changes in materials and systems, structure, and components as they age in environments associated with continued long-term operation of existing commercial nuclear power reactors. This year, the Materials Aging and Degradation (MAaD) Pathway of this program has placed emphasis on emerging nondestructive evaluation (NDE) methods that support these objectives. DOE-funded research and development (R&D) on emerging NDE techniques to support commercial nuclear reactor sustainability is expected to begin next year. This summer, the MAaD Pathway invited subject matter experts to participate in a series of workshops that developed the basis for the research plan of these DOE R&D NDE activities. This document presents the results of one of these workshops, the DOE LWRS NDE R&D Roadmap for Reactor Pressure Vessels (RPVs). These workshops made a substantial effort to coordinate the DOE NDE R&D with that already underway or planned by the Electric Power Research Institute (EPRI) and the Nuclear Regulatory Commission (NRC) through their representation at these workshops.

This series of workshops was held in the Oak Ridge, Tennessee, area during the week of July 30 through August 2, 2012. The workshops addressed four areas of NDE interest: (1) Cable Flaw Detection (Monday, July 30); (2) Concrete Aging Monitoring (Tuesday, July 31); (3) Reactor Pressure Vessel Monitoring (Wednesday, August 1); and (4) Fatigue Piping Assessment (Thursday, August 2). The Cable Flaw Detection workshop was held at the Analysis and Measurement Services (AMS) Corporation's AMS Technology Center at 9119 Cross Park Drive in Knoxville, Tennessee. The other three workshops were held at the Oak Ridge National Laboratory (ORNL) Conference Center at 1 Bethel Valley Road, Oak Ridge, Tennessee.

The purpose of the August 1 workshop was to develop content for this *Roadmap for Nondestructive Evaluation of Reactor Pressure Vessel Research and Development by the Light Water Reactor Sustainability Program*. The focus was on technical gaps in NDE techniques for detecting embrittlement and weld cracking in reactor pressure vessels. The workshop was attended by 25 people: two representatives from the Nuclear Regulatory Commission (NRC); one representative from the Electric Power Research Institute (EPRI); four representatives from universities (Georgia Tech, Northwestern, and Iowa State); three representatives from industry (Southwest Research Institute, Zetec, and WesDyne); and 15 representatives from national laboratories [ORNL, Pacific Northwest National Laboratory (PNNL), Argonne National Laboratory (ANL), and Idaho National Laboratory (INL)].

The development of a DOE vision for RPV NDE R&D is important because experimental evidence from the LWRS MAaD Pathway indicates that the currently utilized models for RPV lifetime may not be conservative at high fluence. Development of one or more NDE techniques that can assist in the determination of current RPV fracture toughness as well as in prediction of fracture toughness with further aging of the vessel (particularly in the presence of microcracks or other stress concentrators) is essential. The NDE measurements and the corresponding models that can verify their applicability to the problem, sensitivity to embrittlement and microcracking, and accuracy in characterizing physical properties of RPV steel to establish correlations with RPV fracture toughness will provide important information to the LWRS program.

The major emphasis of this workshop discussed the feasibility of using NDE techniques to determine embrittlement of commercial nuclear RPVs. Minor emphasis was placed on emerging NDE techniques that provide better insight into cracking and especially incipient cracking of RPVs.

Three important NDE research areas relative to RPVs were identified during the workshop:

1. NDE measurements towards RPVs embrittlement determination must measure steel properties that can be correlated with the steel's crack propagation during reactor accident conditions.
2. A comprehensive and well-characterized set of irradiated RPV steel samples needs to be assembled to support NDE technique research.
3. NDE techniques utilized towards RPV embrittlement determination must provide information on embrittlement throughout the thickness of the RPV.

Attempts to use NDE techniques to detect RPV embrittlement have been ongoing since the 1960s without significant success. The traditional approach to determining NDE applicability to detection of embrittlement in steels has been mainly experimental, with measurements on samples with varying degrees of embrittlement to see if there is any correlation to the fracture toughness of the steel. In many cases, these measurements have been made on surrogate specimens (i.e., specimens with varying hardness levels but not necessarily the same sort of microstructure that is indicative of irradiation embrittlement). While this type of research is essential (and still necessary), the DOE vision for NDE research on RPVs needs to expand upon this experimental work to include modeling efforts that assist in first principle understanding of NDE measurements versus changes in steel physical properties, as well as approaches to determine the correlation of that measurement with any crack propagation during accident conditions.

The fracture toughness of steel depends upon several factors, especially lattice defects such as vacancies, dissolved atoms, dislocation loops, solute clusters, precipitates, dislocation, and grain and phase boundaries. Major obstacles to the use of NDE for embrittlement quantification have been (1) the length scales of the features of interest (several nm) relative to the gauge length of typical NDE methods (100s of μm and up), and (2) the sensitivity of NDE techniques to multiple factors. The result is the inability (with high confidence), with a single measurement, to distinguish between multiple factors and correlate the measurement to the fracture toughness.

The vision for DOE work in this area centers around efforts to understand how embrittlement (or the presence of microcracking, especially in the vicinity of fabrication flaws in welds) impacts the physical properties of the steel that NDE techniques are capable of measuring, the sensitivity of these NDE techniques, and how those measurements can then be related to the fracture toughness of the steel (or to other related properties). Research into NDE for RPV steels under the LWRS program needs to focus on addressing these gaps.

A consistent theme from all the LWRS NDE workshops and especially from the RPV workshop was that a comprehensive and fully characterized common set of samples for NDE experimentation needs to be assembled. The required RPV sample set is somewhat unique in that it needs to (1) be irradiated over a range of fluence using the appropriate flux and temperature conditions, (2) represent a number of base material and impurity compositions, and (3) be able to allow verification of NDE techniques from $\frac{1}{2}$ -Charpy-sized samples to those representative of full RPV thicknesses. To achieve the DOE vision for NDE research on RPVs, this sample set must be assembled. Statistical design of experimental methods may be applied to reduce the number of specimens that may be necessary for comprehensive evaluation of NDE methods.

The workshop concluded that some emerging NDE techniques appear to show promise for detecting and characterizing microstructural changes in RPV steels. These techniques include nonlinear ultrasonic, micromagnetic measurements and Seebeck-effect-based techniques. These techniques may offer a method for nondestructive characterization of RPV steel which can then possibly be correlated to its fracture toughness.

1. INTRODUCTION

The Department of Energy's (DOE's) Light Water Reactor Sustainability (LWRS) Program is developing the fundamental scientific basis to understand, predict, and measure changes in materials and systems, structure, and components as they age in environments associated with continued long-term operation (LTO) of existing commercial nuclear power reactors. Research under the LWRS Program is being conducted within five pathways:

- Materials Aging and Degradation
- Instrumentation, Information, and Control
- Risk
- Fuels
- Economics

A key element of LTO of LWRs is expected to be the management of aging and degradation in materials that make up the passive safety system components. Understanding the likely degradation mechanisms in these materials under LTO is essential. At the same time, approaches to assess the condition of these materials in a nondestructive fashion will also be necessary to assure adequate safety margins and ensure that an effective aging management program can be set up for LTO. The objective of the Materials Aging and Degradation R&D pathway is to create a greater level of safety through application of increased knowledge and an enhanced economic understanding of plant operational risk beyond the first license extension period. R&D is being conducted to develop the scientific basis for understanding and predicting long-term environmental degradation behavior of materials in NPPs. Data and methods to assess the performance of SSCs essential to safe and sustained NPP operations are being developed. These R&D products will be used to define operational limits and aging mitigation approaches for materials in NPP SSCs that are subject to long-term operating conditions.

License extensions for extended LTO (i.e., 60–80 years) will require a shift to a more proactive approach to aging management in addition to updated approaches to periodic in-service inspection (ISI). Three overarching elements of research are necessary to develop a proactive aging management philosophy:

- Integration of materials science understanding of degradation accumulation, with nondestructive measurement science for early detection of materials degradation
- Development of robust sensors and instrumentation, as well as deployment tools, to enable extensive condition assessment of passive NPP components
- Analysis systems for condition assessment and remaining life estimation from measurement data

It is likely that tackling these research elements in parallel will be necessary to address anticipated near-term deadlines for life extension decision-making (the first of the second-round license extension packets may be received by the NRC in 2014/15, with decision needed by 2019 or 2020).

To address the research needs, the Materials Aging and Degradation (MAAD) Pathway of the LWRS program supported a series of workshops in the summer of 2012, with the objective of identifying technical gaps and prioritizing research in nondestructive evaluation (NDE) methods. This document summarizes the findings of the workshop addressing NDE R&D for reactor pressure vessels (RPVs).

1.1 BACKGROUND

The US fleet of commercial nuclear power reactors has an average age of more than 30 years [1], and most of the fleet has either applied for or received an extension of the operating license from 40 years to 60 years (NRC 2011). Attention is now turning to the potential for a second round of license extensions [2–5]. A challenge to safe long-term operations is the life-limiting nature of materials aging and

degradation, as such aging and associated degradation in the structural response of the material can limit safety margins [1]. Replacement of a subset of components (such as the steam generator) may be possible, though the costs associated with the replacement (including the time offline) may be challenging. Moreover, it is economically prohibitive to replace several of the larger components, including the RPV and primary piping. Thus, management and mitigation of aging-related degradation in these critical components becomes important to maintaining safety margins.

One component of concern is the RPV. In the context of long-term operations, the increased exposure to time-at-temperature, along with the effects of extended irradiation, is expected to reduce the fracture toughness of the pressure vessel. As a result of this, and the operational stresses experienced, issues of concern (in RPV and other Class 1 components) with respect to long-term operation include [6].

- stress corrosion cracking,
- helium-induced degradation and cracking in weld repairs,
- phase transformations due to irradiation,
- crack initiation, especially in nickel-based alloys, and
- embrittlement and hardening of RPV steels.

Each of these degradation types, as well as other degradation mechanisms that occur in these components, likely have different underlying mechanisms (many of which are poorly understood) that drive the accumulation of damage and initiation of cracking. Apart from the potential for coolant leaks from cracking, especially in welds in RPV penetrations, embrittlement (especially when combined with stress concentrators that promote crack growth) can, under the right conditions, increase the potential for failure of the RPV.

From a regulatory perspective, commercial nuclear power plants (NPPs) are required to demonstrate adequate safety margins through multiple, independent, and redundant layers of protection[7]. Regulatory guidance towards the management and mitigation of the effects of passive SSC aging in this regard is contained in the Generic Aging Lessons Learned (GALL) reports [8–11]. These reports provide the technical basis for determining whether plant aging management programs (AMPs) at operating reactors are adequate or need modification as plants enter extended operation. The AMP applies to all SSCs that are safety-related or whose failure could affect safety-related functions, as well as those SSCs relied on for compliance with fire protection, environmental qualification, pressurized thermal shock, anticipated transients without scram, or station blackout regulations. Specific programs that need modification are also identified, and the information in these reports is also included in the NRC’s Standard Review Plan for Review of License Renewal Applications [12].

One component of the AMP is the scheduled in-service inspection (ISI) of passive components, codified in 10 CFR 50.55a[13], which specifies the requirements for nondestructive inspection (such as inspection periodicity, inspection techniques, and qualification procedures). These elements are contained in the American Society for Mechanical Engineers (ASME) Boiler & Pressure Vessel (BPV) Code, which the *Code of Federal Regulations* incorporates by reference. The ASME Code specifies the minimum requirements for NDE. Specifically, Section XI of the Code defines the acceptable volumetric and surface examination techniques, the minimum requirements for acceptable procedures, and the acceptance criteria for flaws that are detected. In addition, requirements for qualification of the procedures, equipment, and personnel are specified to ensure reliable inspections. Currently, degradation in the RPV and Class 1 components is managed through periodic ISI as mandated by the ASME BPV Code, with risk-based principles used to determine ISI intervals and the components for inspection in any given interval.

In the United States, for certain inspection techniques and components, the nuclear industry has developed additional examination guidelines, such as those developed under the Boiling Water Reactor

Owners Group's Vessel and Internals Project (BWRVIP) program, and the Materials Reliability Program (MRP)(for instance, [14, 15]). A number of studies have also examined the reliability of NDE techniques [16–25] and determined that several sources of variability were present that impacted the reliability of NDE. These results were codified in Section IX, Appendix VIII of the ASME BPV Code and are the basis for performance demonstration procedures for NDE techniques [26].

While the ISI program for metallic components (particularly Class 1 components) has been in existence for a number of years, there are still gaps associated with the reliable measurement of embrittlement, and the reliable detection of fabrication flaws and microcracking (which can be initiator sites for brittle failure under the right conditions). This report is the outcome of a workshop on RPV aging that examined the measurement and inspection needs and the current state of the art with respect to NDE for embrittlement detection (and to a lesser extent, detection of stress corrosion cracking), with the objective to identify technical challenges in the application of NDE methods for RPV aging detection and characterization, and to define a research roadmap to address these challenges. The objective of the proposed research is the development of the scientific basis for reliably detecting and characterizing RPV aging and degradation, to serve as input to licensing decisions for long-term operations.

1.2 REPORT ORGANIZATION

The document is organized as follows. Section 2 discusses the measurement needs from a materials science perspective. Specifically, the impact of degradation mechanisms of concern on materials microstructure, and the key measurements that are needed for assessment of impact on structural integrity are summarized. Section 3 summarizes the state of the art in nondestructive measurements that may be applicable to the problem at hand. Section 4 discusses the gaps (as identified at the workshop) in NDE measurements for LTO, and a research roadmap to address high priority gaps. Finally, Section 5 concludes the report and identifies a timeline for follow-on R&D. In addition, a series of Appendices are included that provide details of the workshop process, outcomes of the workshop, and list the attendees.

2. PROBLEM STATEMENT

2.1 INTRODUCTION TO REACTOR PRESSURE VESSEL EMBRITTLEMENT

The reactor pressure vessel (RPV) in a light-water reactor (LWR) represents the first line of defense against a release of radiation in case of an accident. Thus, regulations that govern the operation of commercial nuclear power plants require conservative margins of fracture toughness, both during normal operation and under accident scenarios. In the unirradiated condition, the RPV has sufficient fracture toughness such that failure is implausible under any postulated condition, including pressurized thermal shock (PTS) in pressurized water reactors (PWR). In the irradiated condition, however, the fracture toughness of the RPV may be severely degraded, with the degree of toughness loss dependent on the radiation sensitivity of the materials. The available embrittlement predictive models (e.g., [27]) and our present understanding of radiation damage are not fully quantitative and do not treat all potentially significant variables and issues, particularly considering extension of operation to 80 years.

The major issues regarding irradiation effects are discussed in [28, 29] and, of the many significant issues discussed, the issue considered to have the most impact on the current regulatory process is that associated with effects of neutron irradiation on RPV steels at high fluence, for long irradiation times, and as affected by neutron flux. It is clear that embrittlement of RPV steels is a critical issue that may limit LWR plant life extension. The primary objective of the LWRSP RPV task is to develop robust predictions of transition temperature shift (TTS) at high fluence (ϕt) to at least 10^{20} n/cm² (>1 MeV) pertinent to plant operation of some PWRs for 80 full-power years. New and existing databases will be combined to support developing physically based models of TTS for high fluence–low flux ($\phi < 10^{11}$ n/cm²-s) conditions, beyond the existing surveillance database, to neutron fluences of at least 1×10^{20} n/cm² (>1 MeV). This document provides a brief overview of RPV materials, irradiation-induced embrittlement, and the underlying radiation damage mechanisms.

2.2 REACTOR PRESSURE VESSELS, MATERIALS, AND OPERATING CONDITIONS

The RPVs for LWRs are fabricated of cylindrical and hemispherical sections of quenched and temperature low-alloy (Mn-Mo-Ni) plates or forgings, welded together (usually by submerged-arc process), clad on the inside with stainless steel weld metal, and given a final postweld heat treatment. Such vessels may weigh up to 800 tons with wall thicknesses to ~330 mm (~13 in.). The RPV is a unique structural component in that a continuous nuclear fission reactor is realized in the nuclear core inside the RPV; a large boiling water reactor (BWR), for example, contains ~75,000 fuel rods with about 140 tons of uranium. The RPV must ensure long-term and safe operation under conditions of high pressure [~18 MPa (2500 psi) for a PWR], high temperature [~288°C (550°F)], and radiation. The chemical composition specifications for LWR RPV materials have evolved somewhat over the past five decades, primarily with control of elements discovered to cause loss of fracture toughness from exposure to irradiation or high temperatures. The most notable element in this regard is copper, which was discovered in the late 1960s to cause extreme radiation sensitivity of these RPV materials. Although some plates and forgings contain a relatively high concentration of copper, the most significant cases are welds that were fabricated with copper-coated weld wire.

2.3 MECHANICAL PROPERTIES OF RPV MATERIALS

Various specified tests are required to document the mechanical properties of RPV materials, primarily tensile strength and toughness. The tests normally performed include tensile tests (for strength and ductility), Charpy V-notch (CVN) impact tests (for toughness), and drop-weight tests (DWT) (to determine the nil-ductility transition temperature). Such tests are performed according to consensus

specifications published by ASTM International and the American Society for Mechanical Engineers (ASME) Boiler and Pressure Code. The CVN and DWT tests are performed to establish a reference temperature (RT_{NDT}) that is used to index each material to a common fracture toughness curve. The CVN test is used to characterize the ductile-to-brittle transition behavior of the material, and to allow for determination of the temperature at which the material achieves 41 J (30 ft-lb), loosely correlated with the DWT NDTT. This temperature is designated the 41-J transition temperature, T_{41J} , and is also used as the index for determining the irradiation-induced embrittlement. Figure 1 shows a schematic plot of CVN energy vs. temperature data and a curve fit to the data that allows for determination of T_{41J} and the so-called upper-shelf energy (USE) denoted Fully Ductile in Fig. 1.

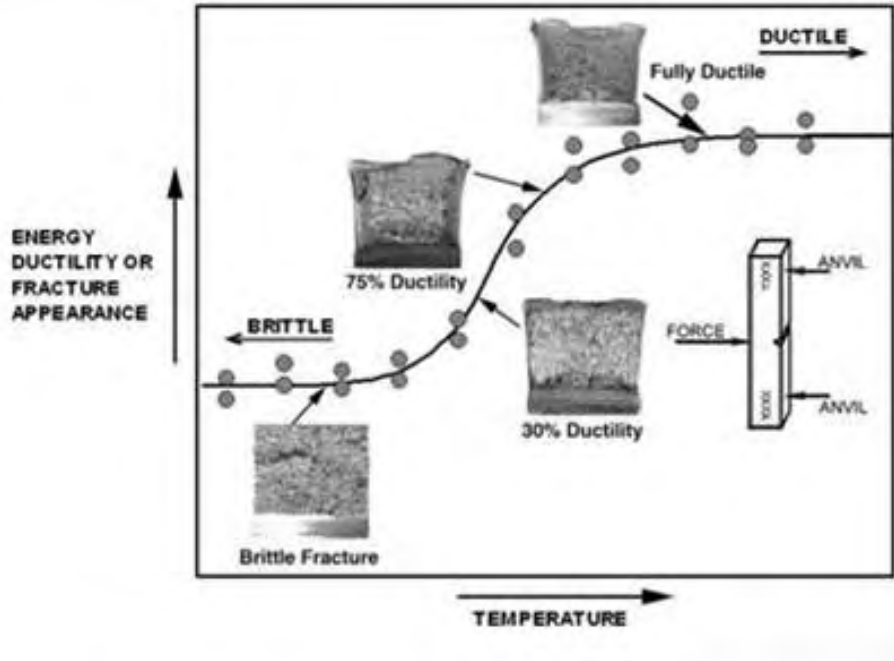
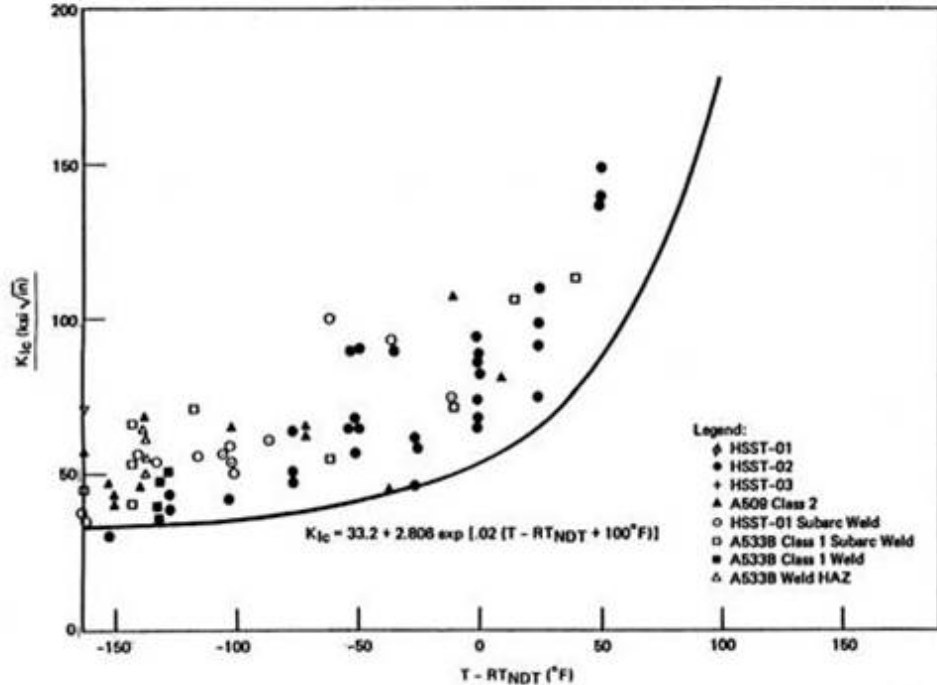


Fig. 1. Pressure vessel steels exhibit a rapid transition from brittle to ductile behavior by measuring the energy to break a Charpy V-notch specimen under impact loading.

Charpy impact energy is a qualitative measure of toughness that cannot be used directly to evaluate structural integrity. The fracture-mechanics-based fracture toughness, however, is a quantitative measure that can be directly related to the applied stress on a flaw of given size, either known or assumed. Figure 2 shows the linear elastic fracture toughness, K_{Ic} , data and bounding curve in the ASME Code that is normalized to the RT_{NDT} . Note that the fracture toughness and CVN toughness are similar in that they are both temperature dependent. The evolution of elastic-plastic fracture mechanics now allows for fracture toughness measurements with relatively small specimens and construction of a mean curve that also allows for probabilistic evaluations of structural integrity, including those associated with PTS.



C9900940-13

Fig. 2. Large compact specimens of 11 different heats of steel that were tested and the results used to construct a lower bound curve of K_{Ic} vs temperature normalized to the RT_{NDT} .

2.4 EFFECTS OF NEUTRON IRRADIATION OF RPV MATERIALS

Reactor vessel integrity assessments must account for the potential degrading effects of neutron irradiation. Depending on the sensitivity of the particular material, neutron irradiation causes an upward shift in the ductile-brittle TTS and a decrease in the upper-shelf energy. The schematic diagram in Fig. 3 (left) depicts how the irradiation-induced strength increase results in an upward shift in the toughness transition temperature, while Fig. 3 (right) shows that irradiation affects the Charpy impact toughness by shifting the ductile-brittle transition to higher temperatures and reducing the upper-shelf energy. The significant role of copper content is shown in the figure for two welds, very similar except for copper content, that exhibit significantly different radiation sensitivity because of the presence of copper. The TTS increases with operating time in a way that depends in a complicated way on the exposure rate (flux, ϕ), irradiation temperature (T_i), and the alloy type and composition (e.g., content of copper, nickel, manganese, phosphorus, silicon, and so on).

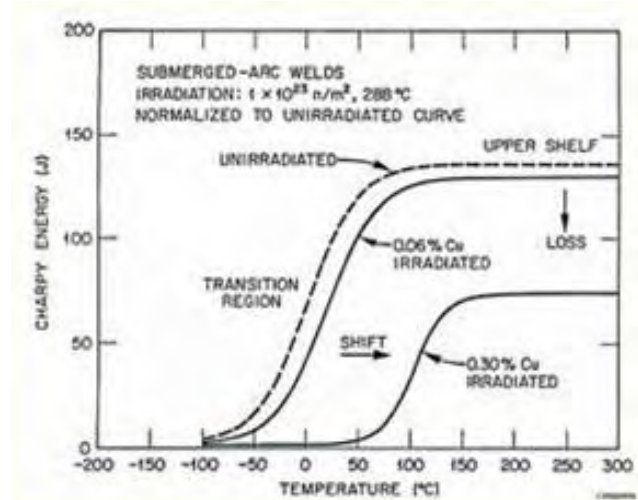
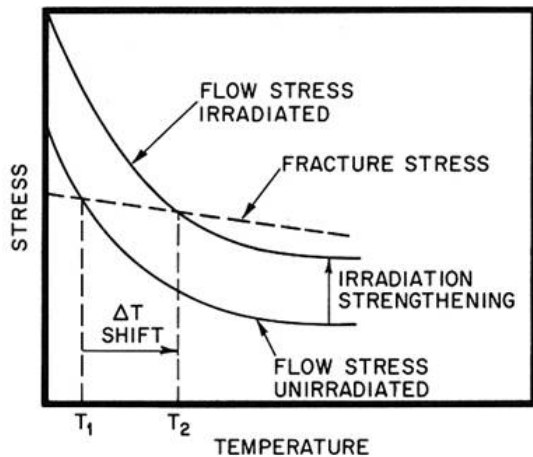


Fig. 3. Schematic diagrams depicting (left) how the irradiation-induced strength increase results in an upward shift in the Charpy impact toughness transition temperature, and (right) the significant role of copper content towards increasing radiation sensitivity.

Unfortunately, different vessels and even the same vessel contain different steels and experience different irradiation conditions. To monitor the irradiation embrittlement, reactors are required to include tensile and CVN specimens in surveillance capsules that are inside the RPV. The surveillance capsules are irradiated at somewhat higher flux than the RPV and are withdrawn periodically to test the specimens and determine the TTS vs neutron fluence. The results are compared with the predictive model in US Nuclear Regulatory Commission (NRC) Regulatory Guide 1.99, Revision 2 [30] and with 10 CFR 50 [31]. Currently, the irradiation-induced shift of the fracture toughness is assumed to be the same as the CVN-based TTS.

2.5 RADIATION DAMAGE MECHANISMS¹

This brief overview of radiation damage mechanisms is taken mostly from a detailed discussion of Chapter 2 in [27] and also summarized in [28, 29] and elsewhere. Figure 4 illustrates the multiphysics and multiscale nature of irradiation embrittlement [29]. At the lowest length and time scales, excess vacancy and self-interstitial defects are created in neutron induced displacement cascades [Fig. 4(a)]. The excess defects lead to the formation and evolution of nm to sub-nanometer-scale precipitates, defect clusters, cluster-solute complexes [Fig. 4(b)], and solute segregation to grain boundaries. These nanofeature pin dislocations, resulting in irradiation hardening [Fig. 4(c)] and solute segregation, weaken grain boundaries. The hardening (and grain boundary weakening) lead to TTS, which is controlled by the micromechanics of cleavage (and intergranular) fracture. Cleavage fracture transitions to ductile fracture, which is itself also affected by irradiation, for example, as manifested in decreases in Charpy upper shelf energies that contribute to the corresponding TTS [Fig. 4(d)].

The TTS depends in a complex way on the complex interplay of the multiscale processes described above. Robust TTS predictive models must account for the *synergistic combined* effects of a large number of variables related to material (composition, starting microstructure, and product form) and irradiation (temperature, flux, fluence, and spectrum). For example, the effect of increasing flux directly depends on all the variables noted above and may result in increased or decreased TTS. Mechanistic models and controlled variable and mechanism datasets have been developed to enable further development and validation of TTS models that are directly fit to the power reactor surveillance database [Fig. 4(e)].

¹ This section was prepared by Prof. G. R. Odette, University of California, Santa Barbara.

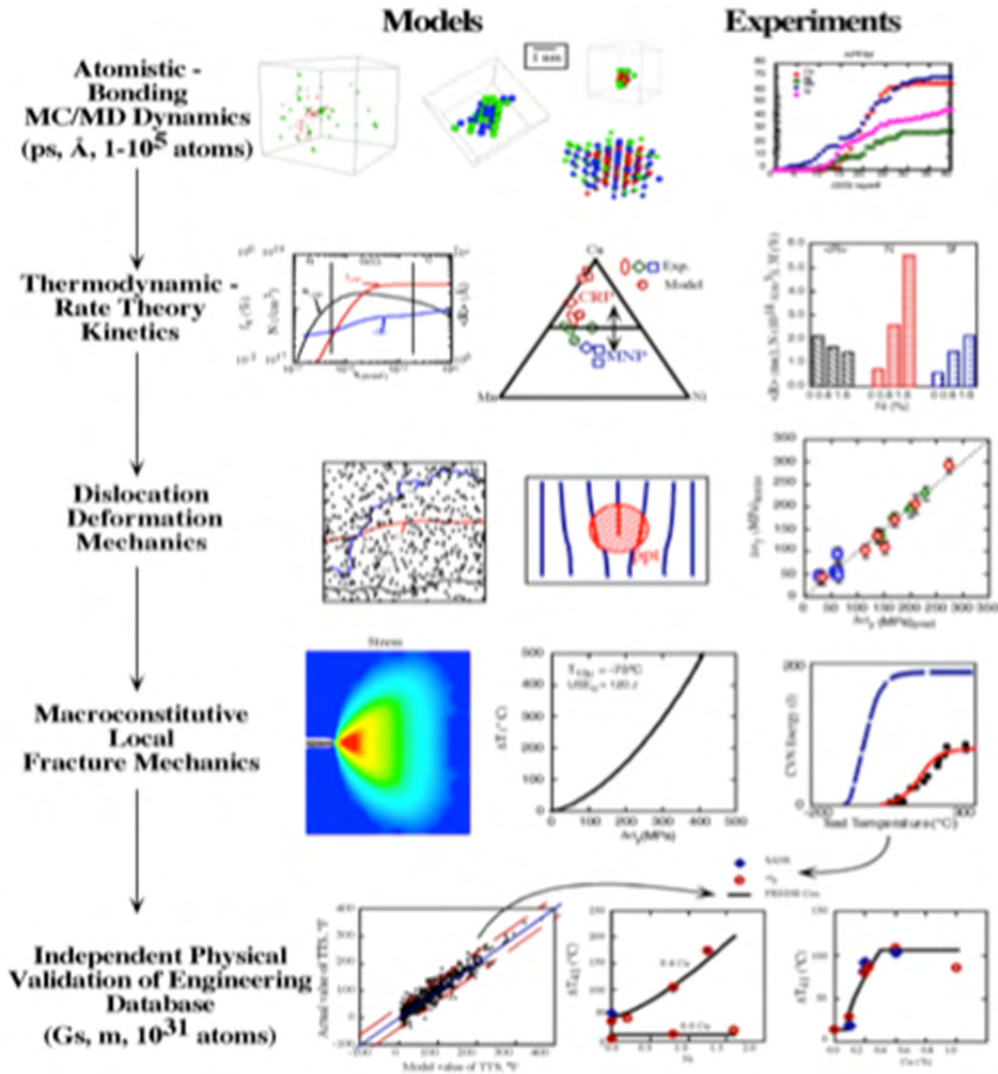


Fig. 4. Diagram illustrating the multiphysics, multiscale nature of irradiation embrittlement.

Figures 5(a)–(d) show the effect of some of these variables on TTS vs fluence curves predicted by physically motivated models fitted to the power reactor surveillance database. Figures 5(e)–(f) show the predicted vs measures shifts. The largest standard deviation for welds is 26.4°F (14.7°C).

The existing TTS models are generally robust up to intermediate fluence of order $\approx 4 \times 10^{19}$ n/cm². However, a major challenge is to accurately predict and measure TTS up to extended life fluence of order 10^{20} n/cm² at vessel-relevant low flux conditions. Two critical corollary challenges are (1) treating new embrittlement phenomena that may develop at high fluence, such as the so-called late blooming phases (see below), and (2) flux effects that will permit the proper use of accelerated test reactor data. We briefly summarize key embrittlement processes and mechanisms in what follows.

High-energy neutrons generate primary recoil atoms with energies up to several tens of keV. The primary recoil atoms transfer energy to secondary and subsequent generations of energetic collided atoms in a branching series of atomic collisions until displacements cease. This is known as a displacement cascade. Cascades produce large concentrations of vacancies and self-interstitial atoms. Many self-interstitial

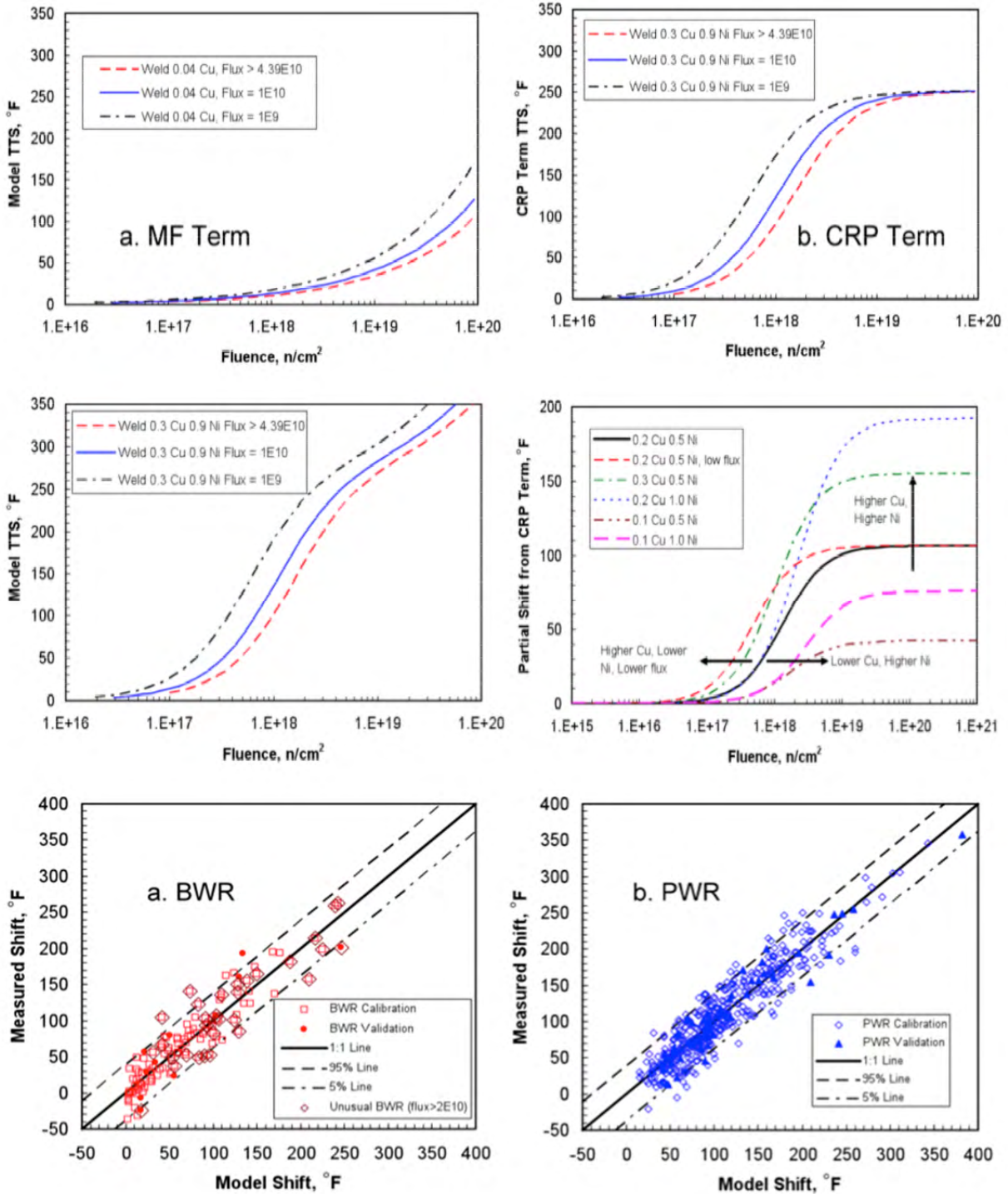


Fig. 5. Development of the TTS embrittlement model includes matrix features and copper-rich precipitates (top), flux effects (middle), and fitting to surveillance data for both BWRs and PWRs (bottom).

atoms quickly recombine with vacancies, but some survive and a fraction aggregate in clusters of like defects, typically in the form of complexes with various solute atoms. At RPV operating temperatures of ≈ 520 to 570°F (≈ 270 to 300°C), the residual vacancies and interstitials subsequently diffuse long distances to various sinks, including like defect clusters and complexes. However, perhaps the most important influence of the excess migrating defects is to accelerate solute diffusion processes by many

orders of magnitude. Radiation-enhanced diffusion (RED) leads to solute clustering and precipitation at temperatures and times that are much lower and shorter than those under normal thermal aging conditions.

Embrittlement (TTS), traditionally characterized as shifts in the 41J Charpy energy temperature curve, is primarily caused by irradiation hardening induced by the nanometer-scale precipitates. Note RED enhanced segregation of P to grain boundaries also contributes TTS that interacts synergistically with hardening. A two-feature model discussed below includes separate terms for two important types of radiation-induced hardening features, so-called “matrix features” (MFs) and “copper-rich precipitates” (CRPs). The MFs are formed in the displacement cascades, producing hardening in both low-Cu and high-Cu steels. They are believed to be vacancy-solute cluster complexes or their solute (Ni, Mn, P and Si) remnants. MFs may be partly stabilized and even grow by long-range diffusion of vacancies and solutes. The hardening embrittlement caused by MFs increases with decreasing irradiation temperature and roughly with the square root of fluence, at least at low-to-intermediate fluence. The corresponding irradiation temperature dependence can be rationalized as being a consequence of the MF thermal stability; that is, a larger fraction of MFs formed in cascades survives annealing at lower temperatures. The square root dependence hardening and TTS is consistent with linear scaling of the number of MFs with fluence, which act as dispersed barriers to dislocation glide.

Embrittlement also arises due to hardening caused by solute precipitation, that is, accelerated by RED. Well-formed copper-rich precipitates (CRPs), composed of Cu, Ni, Mn, and Si, form above a threshold level of about 0.07 wt % Cu. At high concentrations of these alloying elements, the Mn, Ni, and Si content in the precipitates can exceed the corresponding Cu content [27–31], in which case they are sometimes referred to as MNPs. However, for simplicity and clarity, we will refer to all precipitate features in steels with at least 0.07 wt % Cu as CRPs throughout this document. The CRPs (and MNPs) are distinguished from Ni-Mn-Si precipitates that contain only small amounts of Cu, which can form in steels with <0.07 wt % Cu [32]. The Mn-Ni-Si features, which probably evolve from MF precursors, are referred to as late blooming phases (LBPs) because they generally evolve and cause hardening only at high fluence. LBPs are *not* specifically accounted for in current regulatory models. However, the potential for embrittlement due to LBPs and other hardening features that may evolve at high fluence must be carefully considered in establishing the fluence limit for use of the current embrittlement models and included in new TTS models.

Evolution of CRPs is the dominant embrittlement mechanism in the most irradiation-sensitive western Cu-bearing RPV steels [27–31] up to intermediate fluence of order $\approx 4 \times 10^{19}$ n/cm² [see Figs. 5(a)–(d)]. The MFs provide a secondary contribution in this regime but may exceed the CRP contribution at high fluence, especially at lower Cu levels. In very high-Cu steels, there is a maximum amount of Cu remaining in solid solution that is available for radiation-enhanced precipitation (0.25 to 0.3 wt %), due to pre-precipitation during RPV heat treatments [27–34], regardless of bulk Cu content. The rate of CRP nucleation depends on the alloy Cu content (as well as other elements) and irradiation temperature, but it is generally very rapid due to the large supersaturation of this solute in higher Cu steels. Copper continues to precipitate until it is nearly depleted from the matrix. However, RED accumulation of Mn, Ni, and Si, which concentrate in the CRP, also contributes to growth. The chemical potentials (partial free energies) of Ni, Mn, and Si atoms are initially higher in the matrix than in an unalloyed Cu precipitate, so these elements (and excess Cu) flow into the precipitates where the chemical potentials are lower. This process continues until the chemical potentials for all the elements are equal in both phases. For example, a typical 0.2% Cu, 0.6% Ni, 1.4% Mn RPV steel at full Cu precipitation around 2×10^{19} n/cm² contains $xx \approx 10^{23}/\text{m}^3$, yy diameter CRPs that contain xx , yy , zz , and aa Cu, Ni, Mn, and Si, respectively, with a volume fraction of $\approx 0.xx\%$. Phosphorous may also precipitate with alloying elements (such as Mn) that lead to hardening, and this may rationalize the Mn-P interaction term found in fitting the MF TTS.

The high number density of CRP and MF ($>10^{23}/\text{m}^3$) pin dislocations results in significant hardening. The hardening leads to the TTS as schematically illustrated in Fig. 3(a). However, the relation between the CRP plus MF and hardening is complex, since it depends on the number, size distribution, and chemistry of the nanofeatures. These nanofeatures have different individual obstacle strengths for pinning dislocations. Further, the hardening also depends on the unirradiated microstructure. That is, exactly the same population of MFs and CRPs can result in very different hardening for various alloys and product forms. The complex relation between hardening and TTS represents yet another set of physics and micromechanics that is beyond the scope of this discussion. However, it is sufficient to note that for a given hardening, the TTS depends on the starting alloy microstructure and its initial transition temperature.

The quasi-sigmoidal shape of the TTS versus fluence curves in Figs. 5(a)–(c) are the consequence of CRP nucleation, growth, and saturation. However, as noted above, Ni, Mn, and Si continue to accumulate in CRPs after Cu is depleted; thus, these solutes, especially Ni, also affect the magnitude and fluence dependence of hardening and TTS embrittlement.

The irradiation temperature has a strong effect on all of these kinetic and thermodynamic processes. Flux is also an important embrittlement variable. At a given fluence, the total amount of solute diffusion decreases with increasing neutron flux, thus delaying CRP and MF hardening and the corresponding TTS. However, high flux can also introduce new hardening features. Thus, higher flux can increase, decrease, or leave unaffected the TTS. Flux effects are discussed further in Chapters 2 and 6 of [27] and [35] and their associated references.

The issue of flux has been recently highlighted since higher flux accelerated test reactor TTS data tend to be underpredicted by surveillance-based models at high fluence. However, in addition to flux effects, the potential for LBP at high fluence is a major concern. Thermodynamic-kinetic models long ago predicted the formation of Mn-Ni phases even in the absence of copper, but at low nucleation rates compared to that for CRPs, resulting in relatively high incubation fluences. However, once nucleated, such late blooming Mn-Ni-Si phases (LBP) could grow to large volume fractions, causing severe embrittlement. The models also showed that small concentrations of copper act as a catalyst for LBP nucleation. Test reactor irradiations contained both complex steels and simple ferritic model alloys that were specially designed to search for LBP and map their formation regimes. This search has clearly demonstrated the existence of LBP. It is now believed such features are actually part of a continuum of chemically complex SMF-LBP features that form in low-copper alloys. Thus, the SMF may be precursors to well-defined LBP. Thus, it is no longer an issue of if, but rather where and when, LBPs may strike to threaten the continued operation of vulnerable vessels. However, additional research will be required to determine the conditions leading to the formation of LBP, and the severity of the corresponding embrittlement. Finally, it has been recently found that there is continued enrichment of Mn, Ni, and Si in CRPs in Cu-bearing steels. The TTS implications of LBP and transformation of CRPs to Mn-Ni-Si dominated features are increasing TTS with increasing neutron fluence, results not predicted by models based on surveillance data at relatively low fluences. References [36–52] were used variously for much of the preceding discussion.

2.6 BROAD ISSUES FACING DETERMINATION WITH NDE—MECHANISMS AND ENGINEERING PRACTICE

The complex mechanism and variable dependence of irradiation embrittlement lead to some very robust conclusions that relate to use of signal-based NDE assessment of RPV conditions.

1. Direct NDE assessment of fracture toughness is simply not possible by any current techniques or combination of techniques. Even if one had a complete and rigorous characterization of the microstructures at all length scales, and the corresponding constitutive properties, modeling fracture

toughness requires fracture tests to at least measure local fracture stresses and strains. It may be possible to develop an advanced micro(structure)-micro(mechanics) framework for fracture models, but this is far from being near in hand. Notably, fracture toughness itself is very sensitive to temperature while NDE signals are not. Figure 6 is a schematic diagram of fracture toughness vs temperature for a radiation-sensitive steel at different levels of neutron fluence which results in different curves as the irradiation-induced shift increases. Assuming the NDE measurements are performed at one temperature, the diagram indicates that the fracture toughness of the material changes. The lowest point shows that the fracture toughness is the same for the two highest curves at the measurement temperature but that the two curves have different fracture toughness at higher temperatures.

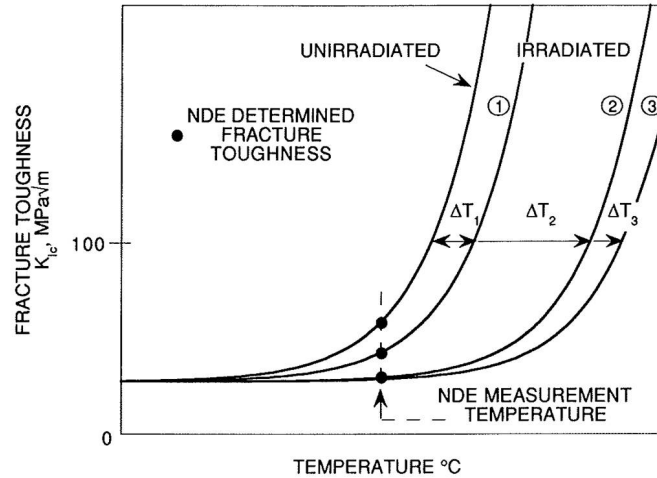


Fig. 6. Schematic diagram showing potential drawback of performing NDE measurements at a fixed temperature. The curves with the two highest shifts have the same fracture toughness in the lower portions of the curves but different fracture toughness with increasing temperature.

2. No known NDE methods can directly characterize details of the complex and varied population of irradiation-induced nanofeatures. Currently, this cannot even be done with advanced electron microscopy methods; even atom probe tomography provides limited information and is subject to anomalies and artifacts.
3. NDE techniques may have a better possibility to measure subtle *changes* in signals associated with irradiation-induced features such as low stress-strain dislocation pinning (related internal friction and perhaps some ultrasonic phenomena), various magnetic effects (related to internal stains and domain wall pinning), and changes in solute distributions that affect resistivity and Seebeck coefficient data. However, there are several associated problems. First, the overall signals depend on the overall microstructure, which generally does not change much with irradiation but varies significantly from steel to steel. The corresponding changes due to the actual nanofeatures induced by irradiation are generally much smaller than typical overall steel-to-steel variations. Thus, the only possibility for relating the NDE signals to TTS is to measure changes with reference to a reliable reference control. In this case, not untypically, one material will show an increase in the NDE signal with TTS, while another shows a decrease, while yet another shows no effect. This is an extremely difficult measurement that is emphasized by the small volume fractions (<1%) of the nanofeature. Actual quantitative calibration, even if possible at all, would require a massive very high quality database. Note that, in many cases, archive materials are not available.

4. It is difficult to disprove the untested and unproven. So it might be imagined that making lots of different NDE measurements that cannot be interpreted based on known physics, but could be subject to artificial intelligence (e.g., neural networks) analysis, might provide a black-box-type predictive ability to predict TTS. However, acceptance of such an approach in codes, standards, and regulations would be very challenging.
5. The RPV is from ~203 to 305 mm (8 to 12 in.) thick. Can NDE probe the RPV inside the thickness, for example, at the $\frac{1}{4} t$ location?
6. Are NDE methods really needed to replace the current procedures, that is, Charpy/fracture toughness surveillance databases fit by physically based models?
7. What are the alternatives to signal-based NDE, for example, totally nonintrusive biopsies and microscale microstructure and hardening measurements?

3. NDE FOR REACTOR PRESSURE VESSELS: CURRENT STATE OF THE ART

3.1 NDE TECHNIQUE FEASIBILITY OVERVIEW

Attempts to use nondestructive evaluation (NDE) techniques to detect RPV embrittlement have been ongoing since the 1960s without significant success. To date, no NDE technique has been applied to an in-service RPV with the intent of characterizing its embrittlement. All studies and research have been conducted on representative samples. The traditional approach to determining NDE applicability to detection of embrittlement in steels has been mainly experimental, with measurements on samples with varying degrees of embrittlement to see if there is any correlation to the fracture toughness of the steel. In many cases, these measurements have been made on surrogate specimens. These surrogate specimens have varying hardness levels but not necessarily the same sort of microstructure that is indicative of irradiation embrittlement. In addition to some surrogate samples not having the same sort of microstructure that is indicative of irradiation embrittlement, the microstructure changes with level of irradiation fluence. Even if irradiated samples are available, often the neutron fluence range in their level of irradiation is limited. Additionally, most samples utilized for NDE technique evaluations have been ½-Charpy-sized samples (10 × 10 × 27 mm). There is significant concern for extrapolation of results obtained from evaluations on this size sample versus the 250- to 310-mm-thick steel sections of in-service RPVs. Further complicating the utilization of test samples for NDE feasibility evaluations is the variety of base metal and weld compositions and base metal and weld impurities used for RPV fabrication. Both the composition and impurity factors influence the resultant microstructure of the irradiated RPV steel. To date, a comprehensive, well-characterized set of samples for NDE technique evaluation of RPV embrittlement has not been assembled.

However, as recently as the late 1990s through the mid-2000s, several organizations have sponsored research or reviewed the NDE applications into this area. Of particular note are four studies by four different organizations: (1) Westinghouse in the mid-1990s [53], (2) the Korean Atomic Energy Research Institute in the late 1990s [54], (3) the National Institute of Standards and Technology in 1998 [55], and (4) the European Commission's Project GRETE in the early 2000s [56]. These organizations reviewed the applicability of a wide variety of NDE techniques to the RPV embrittlement problem.

The Westinghouse feasibility study evaluated (1) electrical resistivity, (2) magnetic hysteresis, (3) magnetic Barkhausen effect, (4) magnetic acoustic emission, (5) eddy current, (6) ultrasonic velocity and attenuation, and (7) microhardness. For their study, Westinghouse utilized steel samples of nuclear RPVs from two nuclear reactor surveillance programs. Since these samples were irradiated during operation of commercial nuclear reactors, they were representative of the radiation embrittlement that actually occurred over time during reactor operation, but they were ½-Charpy-sized samples and represented only a limited range of neutron fluence. The Westinghouse study concluded that there were substantial difficulties with electrical resistivity and eddy current techniques. Additional research was needed for magnetic techniques, but ultrasonic NDE techniques, especially nonlinear ultrasonic techniques, hold the most promise for sensing the microstructure of RPV steel. Microhardness techniques are not traditional NDE and offer some promise, but how to apply them throughout the thickness of typical RPVs is yet to be determined. The specific comments on each technique from the Westinghouse evaluation are contained in Table 1.

Table 1. Westinghouse feasibility comments on various NDE techniques

Electrical Resistivity	“Although the microstructure of the material may be monitored by resistivity measurements, these values were not shown to correlate with the mechanical properties of the material such as the yield strength, Charpy transition temperature, or the upper shelf energy.”
Magnetic Techniques	“Studies have shown that changes in magnetic parameters occur in irradiated and annealed samples. The difficulty in using this technique to detect embrittlement arises from both the complex changes in the microstructure of pressure vessel steels and the inadequate modeling of the hysteresis loop. In turn, this inadequate modeling poses challenges for separating the specific contributions, such as material chemistry, heat treatment, and residual stresses, to the changes in the parameters. It also presents a challenge for interpreting results in terms of fundamental changes in the sample properties.”
Eddy Current	“It is not surprising that opposing trends have been observed in these studies given the number of factors that can influence the results of the measurement. Detailed examination of the frequency dependence of the results could be used to separate the effects of the resistivity and permeability, and to give a better understanding of what the eddy current values represent. It is not clear how the results will be related to the mechanical properties of the steel.”
Ultrasonic Techniques	“The ultrasonic techniques appear to be closely related to the mechanical properties of interest in the embrittlement of pressure vessel steels and seem to be most promising for monitoring embrittlement. Further studies are warranted for the development of a nonintrusive ultrasonic measurement technique.”
Microhardness	“Because microhardness measurements are not traditionally viewed as being nondestructive in nature, their use as a nonintrusive tool has been overlooked. The microhardness technique should be pursued as a viable NDE technique in monitoring the level of embrittlement in pressure vessel steels.”

The Korean Atomic Energy Research Institute (KAERI) evaluated the NDE feasibility of (1) magnetic hysteresis, (2) magnetic Barkhausen effect, and (3) ultrasonic velocity and attenuation. Like Westinghouse, the Koreans also used samples for their evaluation. Their samples were of SA508 Cl.3 forgings and weld surveillance specimens of ½ Charpy size exposed with a fluence of 2.2×10^{19} n/cm² by neutrons of energy >1.0MeV. The KAERI evaluation study concludes that both magnetic and ultrasonic techniques are promising and indicates that they are sensitive to the microstructure changes that occur during embrittlement, but that more work is needed to relate the microstructural changes that can be detected by them to the embrittlement of the steel. The specific comments on each technique from the KAERI evaluation are contained in Table 2.

Table 2. KAERI feasibility comments on various NDE techniques

Magnetic Techniques	“The magnetic hysteresis parameters showed changes with fluence, and the magnetic Barkhausen effect/magnetic acoustic emission (MBE/MAE) results were sensitive to the size of the precipitates and to the dislocation density. However, more work is needed to determine how each microstructural change affects each parameter and to separate the contribution of each microstructural effect. Finally, the results must be shown to correlate with the mechanical changes in the material.”
Ultrasonic Techniques	“A parametric analysis by ultrasonic techniques may be useful for identifying the material state related to neutron irradiation embrittlement and can be considered useful for supplementing the current technology for the evaluation and prediction of reactor vessel integrity if further research to identify an inconsistent phenomenon can be performed” and “the magnetic and ultrasonic techniques appear to be closely related to the mechanical properties of interest in the radiation embrittlement of pressure vessel steel and seem to be promising for monitoring embrittlement. Further study has to be

	continued in order to achieve more accurate and reliable results for the assessment of radiation embrittlement.”
--	--

The National Institute of Standards and Technology (NIST) evaluated the NDE feasibility of (1) elastic properties, (2) X-ray diffraction, (3) nonlinear ultrasonic, (4) magnetic properties, (5) micromagnetic techniques, (6) dislocation mobility under static stress, and (7) measurements under cladding. The NIST evaluation also utilized samples that were predominantly surrogate steel samples hardened to simulate the hardness of embrittled RPV steels. Some evaluations did utilize irradiated RPV steel, but in limited quantities. The samples were ½ Charpy sized. Several of the NDE techniques evaluated were not implemented in a form that would ever be applicable to field measurements. The most applicable NDE techniques evaluated by NIST were the nonlinear ultrasonic techniques, and they concluded that “the nonlinear ultrasonic parameter β , the maximum transverse incremental permeability μ_t , and the high field average magnetostriction λ_∞ appear capable of predicting the ultimate tensile strength, the hardness, and the ductile to brittle transition temperature (DBTT) of a steel in which the embrittlement mechanism is similar to that responsible for embrittlement of RPVs. All three properties can be deduced from ultrasonic measurements that can be performed nondestructively.”

Project GRETE, conducted by the European Commission in 2000 and 2001, studied NDE technique feasibility for both neutron irradiation damage and fatigue damage. Fifteen European organizations within the European Commission participated in Project GRETE. Eight of the partners participated in evaluating NDE techniques for neutron irradiation damage. The Project GRETE feasibility study evaluated (1) ThermoPower (Seebeck and Thomson coefficients), (2) micromagnetic measurements, (3) magnetic Barkhausen noise, (4) non-linear harmonic analysis of eddy current signals, and (5) automated ball indenter (microhardness). Project GRETE used samples from five partners, which were irradiated at up to five different fluence levels in both commercial and test nuclear reactors. The fluence range of the samples ranged from 0.7×10^{19} to 10.2×10^{19} n/cm² ($E > 1$ MeV) as well as unirradiated. Project GRETE concluded that the micromagnetic and magnetic Barkhausen noise techniques show the most promise for indicating the microstructure of RPV steels. Since 2001, the Fraunhofer Institute for Non-Destructive Testing (IZEP), who performed the magnetic Barkhausen noise study under Project GRETE, has continued with the investigation into using Barkhausen noise to characterize steel microstructure with some success. The specific comments on each technique from the Project GRETE evaluation are contained in Table 3.

Table 3. Project GRETE feasibility comments on various NDE techniques

ThermoPower	<p>“The techniques based on the measurement of the ThermoElectric Power (Seebeck and Thomson coefficient) have shown good linear correlation between the measured signal and the accumulated fluence or the transition temperatures shift. The determination quantitative information by the non-destructive methods may only be done on individual set of specimens because of the influence of other parameters such as chemical composition, segregation, and heat treatment.”</p> <p>“The measurement of TEP and STEAM (ThermoElectric Power measurements), based on the same physical principle has shown the ability of these techniques to follow qualitatively the embrittlement of RPV steel. Some developments are needed in order to achieve quantitative data...”</p>
Micromagnetic Measurements & Magnetic Barkhausen Noise	<p>“The Micromagnetic techniques ... were in general sensitive to the irradiation damage... There is a strong interaction between the precipitates and the magnetic Bloch walls of the domain.... The effect of the embrittlement of the irradiated specimens on the measured values is probably small compared to the effect of the residual stresses in the specimens ... the strong plastic deformation (of the ½ Charpy specimens on the front versus back) has also reduced the number of possible local measurement positions on the specimens and has therefore also influenced the statistics.”</p>

Microhardness	“The Automated Ball Indenter (ABIT) method based on ball indentation has promising capabilities to follow the hardening of the specimen by the determination of the tensile strength.”
---------------	--

3.2 PROMISING NDE TECHNOLOGIES FOR DETECTION OF EMBRITTLEMENT IN RPVS

When metallurgists are characterizing the microstructure of RPV steels, they employ multiple techniques such as transmission electron microscopy, atom probe tomography, small angle neutron scattering, and positron annihilation. To estimate the remaining useful lifetime of RPVs, they typically use microstructure characterization from some or all of these techniques along with Charpy V-notch test results and DBTT changes. It is probably unreasonable to expect that a single NDE technique will be able to provide a comprehensive characterization of the microstructure of RPV steels, much less an estimate of the remaining useful life of a RPV. Therefore, it is prudent to investigate using multiple NDE methods to obtain a reasonable, if not completely comprehensive, characterization of the RPV steel microstructure in hopes of being able to then correlate this microstructure with remaining useful life. In this section, some NDE techniques are described that have been shown in laboratory studies to be responsive to steel microstructure changes and are therefore candidates for future R&D work to indicate RPV embrittlement.

3.2.1 Nonlinear Ultrasonic

Nonlinear ultrasonic techniques are a promising candidate for NDE of irradiation damage in RPV components. Nonlinear ultrasound (NLU) measures higher order harmonics that are generated in the material as the wave propagates, and this effect is quantified with a measurable nonlinear ultrasonic parameter. This parameter is sensitive to microstructural changes in the material such as dislocation formation and interactions, precipitates, and grain boundary effects. Standard *linear* ultrasonic techniques can monitor damage in material, but these methods are limited by the wavelength of the signal. *Nonlinear* ultrasonic techniques, on the other hand, are not wavelength-limited, and microstructural features that are orders of magnitude smaller than the wavelength of the propagating wave can be detected. Another attractive feature of NLU is that the necessary sensors and instrumentation are the same as those used in typical linear ultrasonic ISI measurements. It is crucial that material modeling efforts for irradiation effects be integrated with these nonlinear ultrasonic techniques to extract relevant parameters for RPV NDE.

Nonlinear ultrasound (NLU) to monitor damage has received a lot of attention throughout the literature. NLU has been used to monitor embrittlement in surrogate steel samples. In this work, NLU measurements were made on thermally aged ASTM A710 steel samples, showing that the NLU parameter was related to plastic strain and hardness, and the effects of copper-rich precipitates on NLU were investigated [57]. Other work has shown NLU has the ability to monitor fatigue damage in a variety of metallic materials [58]. This is because NLU is sensitive to dislocations, dislocation pinning by precipitates, and dislocation dipoles [59], which are all microstructural features that evolve throughout fatigue. Nonlinear ultrasound was briefly used to investigate neutron irradiation in copper crystals, and results showed that irradiation caused dislocations to be pinned [60]. It has also been shown that nonlinear ultrasound is related to tensile properties of cold worked stainless steel [61], and also creep damage in titanium alloys [62].

As a tone burst ultrasonic wave propagates through a nonlinear material, higher order harmonics are generated. The received signal consists of a summation of ultrasonic waves at the input frequency plus a second harmonic wave, which can be directly related to a material property called the material nonlinearity. This is a direct result of considering the nonlinear stress-strain relationship of a material instead of the linear approximation. The material nonlinearity of, for example, steel results from the

inherent anharmonicity of the lattice structure and will increase with increasing microstructural evolution. Microstructural features such as the lattice anharmonicity, dislocations, and precipitates produce local atomic strain fields since they cause a geometric incompatibility with the crystalline structure. This strain field is highly nonlinear, and so when an ultrasonic wave perturbs these features, they act as a nonlinear body force to the ultrasonic wave and cause higher order harmonics to be generated. As the microstructure evolves from some sort of damage mechanism (e.g., neutron irradiation), the ultrasonic wave interacts with the increasing amount of dislocations, precipitates, and other matrix defects, which cause an increase in nonlinearity and thus an increase of the amplitude of the second harmonic wave. This phenomenon can be directly measured with slightly modified typical ultrasonic testing equipment.

A typical laboratory measurement of the nonlinearity of a material using longitudinal (bulk) waves is as follows. Two commercial piezoelectric transducers are mounted in a pitch-catch fashion on a material sample with light-grade oil for acoustic couplant. A high-power gated amplifier is used to generate a tone burst signal in one transducer, while the other transducer receives the signal that is then transferred to an oscilloscope and ultimately a computer for post-processing. A fast Fourier transform is then performed on the received signal to obtain the frequency response, and the amplitudes of the first and second harmonic frequency components are analyzed to obtain the nonlinearity parameter of the material. An example schematic of this measurement setup for Charpy impact samples is depicted in Fig. 7. Note that while this measurement setup uses longitudinal waves in a pitch-catch manner, the NLU phenomenon can be measured using other ultrasonic waves including Rayleigh surface waves, Lamb waves, and potentially longitudinal waves in a pulse-reflect or double-echo type setup to eliminate the need for a mounted transducer on two opposing faces of the material.

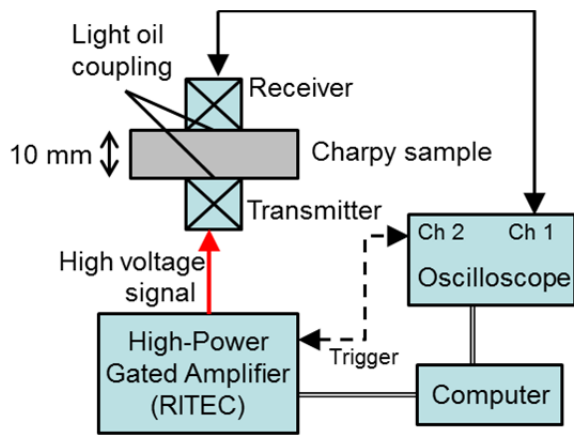


Fig. 7. Experimental schematic for typical laboratory NLU measurement on Charpy-type samples.

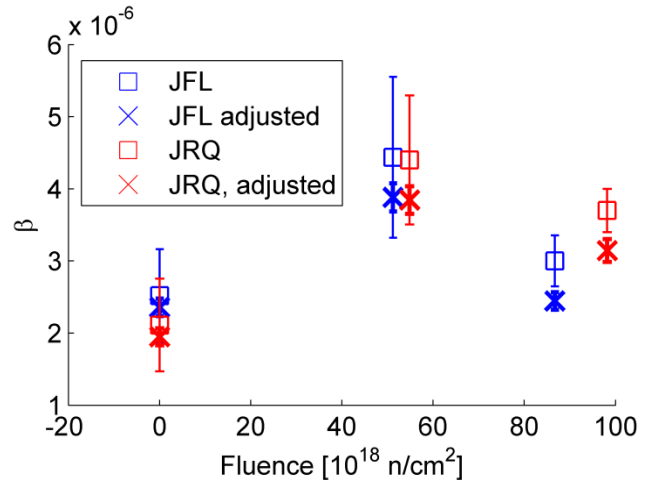


Fig. 8. Measurements of the nonlinear ultrasonic parameter on RPV steel over neutron fluence. Raw results and adjusted results (for experimental effects) are shown.

Previous work has shown that nonlinear ultrasonic NDE methods are sensitive to radiation damage in RPV steel [63]. The nonlinear ultrasonic parameter was measured on Charpy impact samples of a reference RPV steel material, ASTM A533B Cl.1, at increasing levels of neutron fluence up to 10^{20} n/cm² ($E > 1$ MeV). Results showed that the nonlinear ultrasonic parameter increased up to a “medium” fluence of roughly 5×10^{19} n/cm² and then decreased or leveled off to the maximum fluence of the sample set (Fig. 8). The increase of the NLU parameter from unirradiated to the medium fluence samples was attributed to an increase in dislocation density that occurs throughout radiation damage, and the decrease or leveling off from medium to high fluence was attributed to increased formation of precipitates, which

can act to immobilize dislocation motion and thus decrease their contribution to the NLU parameter. To further investigate the applicability of NLU methods to irradiation damage, a sufficient sample set must first be obtained to monitor sufficient fluence levels, fluxes, and composition effects. Then, the nonlinear ultrasonic parameter must be monitored across these parameters, and these results must be integrated with material models to relate to radiation embrittlement.

3.2.2 Magnetic Barkhausen Effect

A number of magnetic measurements have been investigated for correlations with irradiation embrittlement and cracking in ferromagnetic steels. Fundamentally, all of these measurements rely on changes in the magnetic properties in materials as a result of microstructural changes due to external stressors (irradiation, mechanical and thermal stress, chemical attack, etc.). Broadly, these measurements are all dependent on the fact that magnetic domain wall motion in ferromagnetic materials is impacted by the presence of lattice defects. The interaction of magnetic domain walls with these defects results in changes in the shape of magnetic hysteresis loops, with corresponding changes in a number of magnetic parameters such as the coercivity, remanance, and other major and minor loop parameters [64, 65]. Irradiation (and other stressors) changes the amount of Cu and Ni precipitates in legacy RPV steels. The presence of Cu- and Ni-rich precipitates, or the presence of other lattice defects (such as slip-bands, or solute vacancy clusters) results in the formation of magnetic domain wall pinning sites that inhibit the movement of domain walls in response to an externally applied magnetic field. As a result, changes occur in magnetic coercivity and remanance (due to a change in the shape of the hysteresis curve).

A related effect is the Barkhausen effect [66, 67]. The magnetic flux density in ferromagnetic materials placed in an external applied magnetic field is a function of the applied magnetic field, with larger numbers of magnetic domains within the material aligning with the applied field direction with increasing applied field strength. This realignment is, however, not a continuous process, because the presence of dislocations or other damage precursors results in domain wall pinning. Increasing the applied field strength results in abrupt realignment of some domains, and is accompanied by a release of energy that may be detected using a sensing coil (Fig. 9) (called the magnetic Barkhausen effect), or by an acoustic sensor (the acoustic Barkhausen effect). Studies indicate that the magnetic Barkhausen effect in many materials is primarily due to the motion of 180° domains, and its interactions with dislocation tangles [68, 69], whereas the acoustic Barkhausen effect is due to magnetostrictive strain from the motion of non- 180° domain walls [70].

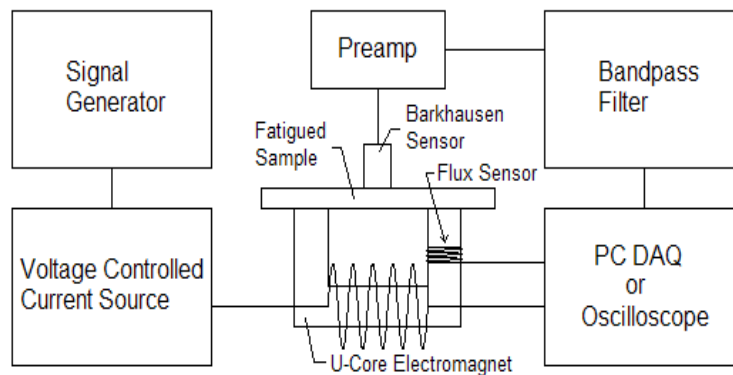


Fig. 9. Schematic of MBN measurement system.

The number of Barkhausen counts depends on the permeability and conductivity of the sample, the density of domain walls at the applied field, the average critical velocity of a domain wall when it is

released from pinning sites, and the average change in the local magnetic induction due to unit displacement per unit area of domain walls [70]. Two Barkhausen bursts are present—one for the positive magnetization and the other for negative magnetization.

The Barkhausen noise measurement method has been applied to determine residual stresses in ferritic steels and to determine the amount of hardening or cold work. Studies have also shown that this technique is sensitive to damage precursors in ferromagnetic materials, and quantities such as the energy and peak value in the Barkhausen signal have been shown to correlate well with level of damage in materials [71–75]. Application of these methods to identify irradiation embrittlement has also been demonstrated to a limited extent in laboratory-scale studies [76–78], though the correlations identified are not always linear. This is generally due to the effect of multiple factors on the response. A number of factors (in addition to precipitate volume fraction) affect the Barkhausen response, including initial microstructure (prior to embrittlement), grain size, grain-boundary segregation, precipitate size, and stress relaxation, and numerous models have been developed to predict Barkhausen response to these factors [79–81]. Additional uncertainty is introduced by the fact that damage accumulation and crack initiation is a stochastic process [82]. Thus, the location selected for the measurement will likely introduce some uncertainty. Further, the measurement process (i.e., manual or automated probe placement, probe coupling pressure, etc.) also adds some error. These sources of error apply to other measurement methods as well. In addition, the measurement is subject to uncertainty due to:

- orientation of strain direction, relative to the applied external field direction and the magnetic easy axis [83];
- specimen fabrication variability as well as residual stress in the specimen [83, 84]; and
- number, location, and orientation of magnetic domains. In particular, in two-phase steels, the volume fraction and distribution of the ferromagnetic phase will have a significant impact on the recorded measurement [85].

Like all electromagnetic methods, the magnetic Barkhausen method (and other magnetic measurement methods) is predominantly a near-surface measurement, with the standard depth of penetration (the distance into the material at which the induced current density decreases to 37% of its value at the surface) decreasing with increasing frequency [86], defined as

$$\delta = \sqrt{\frac{1}{\pi f \mu \sigma}} \quad (1)$$

where f is the excitation frequency, μ is the magnetic permeability of the material, and σ is the electrical conductivity. For non-ferritic steel (such as 304 or 316L), the skin depth at 1 kHz is about 13.1 mm.

3.2.3 Thermoelectric Power

Thermoelectric power measurements are one of the approaches that have been proposed for irradiation embrittlement detection. This approach utilizes the Seebeck effect, wherein a temperature differential across a junction of dissimilar metals produces an electromotive force. This effect is due to electron diffusion and phonon drag, which results in coupled electric and heat transfer across the junction [87]. This effect may be used for the nondestructive characterization of metals, by measuring the potential difference generated as a result of a temperature difference between two junctions, where the “hot” junction is formed by a reference electrode (that is maintained at some temperature) in contact with the material under test, and the “cold” junction is formed by the measurement electrode in contact with the material under test. In general, the measurement is a function of many variables, including chemical composition, heat treatment, thermal aging, hardening, grain structure, etc. As a result, the approach has

been applied to the characterization of a number of aging and degradation processes in metals. One potential application is the characterization of irradiation embrittlement [88–92], where numerous studies have described the potential for correlating embrittlement and DBTT shifts due to irradiation.

While the approach has shown potential, TEP is sensitive to a number of other operational variables, including the interface imperfections [87], the thermoelectric coefficient of the material under test relative to that of the electrode materials, and the anisotropy and material property gradients in the material under test [93]. As a result, additional studies are needed to further evaluate this promising method.

3.2.4 Other Electromagnetic NDE Methods

Other electromagnetic nondestructive examination methods have been proposed for the characterization of irradiation embrittlement and cracking in metals. Many of these methods have been applied for crack detection and characterization, including eddy current testing, remote field testing, potential drop methods, and magnetic flux leakage and the related magnetic particle method [86]. All of these approaches measure the response of the material (with degradation or cracking) to applied electromagnetic energy. In the case of magnetic methods, the applied energy is a DC or low frequency magnetic field. Eddy currents and remote field methods use an induced current in the material under test, where a coil carrying AC is used to induce the current in the material. Potential drop methods, on the other hand, inject current (AC or DC) into the material and measure the resulting potential drop. While these approaches have been demonstrated for crack detection (and ECT and magnetic particle inspection are included in the ASME Code as acceptable NDE methods for crack detection in NPP), the applicability of these approaches to embrittlement characterization and early-stage crack detection is still in the early stages of assessment.

3.3 PROMISING NDE TECHNOLOGIES FOR DETECTION OF DEFECTS IN RPVS

The goal is to detect small defects caused by radiation damage using sensors that can be used on the RPV. The defect range is in the range of a few microns to approximately 300 μm . The primary area of concern is the 1/4T to 3/4T of the RPV wall. For pressurized water reactor (PWR) vessels, conventional tripod deployment technology, or robotic deployment technology, or flat scanner units will be required to convey sensor(s) to the surface of the RPV. For boiling water reactors (BWRs), flat scanner units, magnetic crawlers, or units attached to the RPV using tracks will be used to convey the sensors to the outside surface of the vessel.

The sensor technology that seems to have the most potential is the nonlinear harmonic ultrasonic technique. This technique usually works in the 5–10 MHz range. The basic concept is that acoustic (sound) vibrations in material generate increasing amounts of higher order harmonics (nonlinear effect) when increased material damage is present. Work has been done using bulk waves as well as surface waves [94]. This technology appears to have great potential for detecting dislocation, persistent slip bands, and microcracking. However, good calibration samples are required and due to the large thicknesses of the RPV materials and the high frequencies used, attenuation of the generated waves may make it difficult to observe.

Phased array technology using time-of-flight diffraction (TOFD) for defect detection and sizing and operating in the frequency range 5–10 MHz has shown good capability for detecting small defects in thick wall material. The Plate Inspection Steering Committee II (PISC II) was the first public trial for TOFD, and the results were encouraging [95]. Overall sizing accuracy for the United Kingdom Atomic Energy Authority (UKAEA) Risley team was a few millimeters on plate hundreds of mm thick (i.e., ~1%). Data was obtained by use of Olympus NDT equipment [96]. Data quoted from Kopp [97] for shell plate showed defect detection and sizing for defects in the range of 1 mm and greater (Fig. 10).

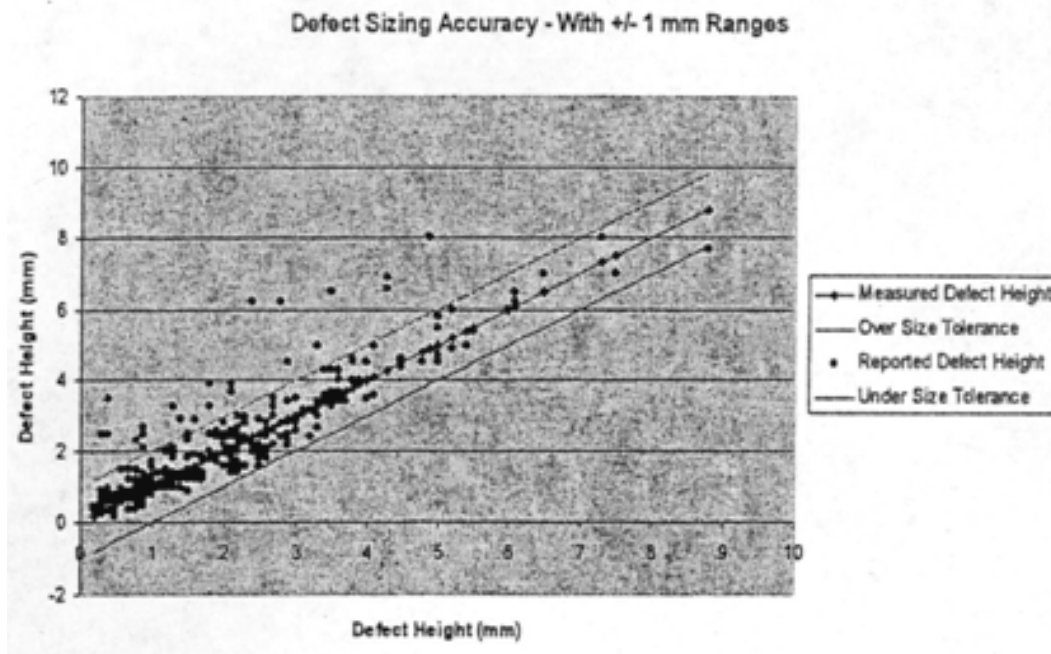


Fig. 10. Sizing data from Kopp et al. [97].

If the primary question to be answered is the radiation damage and if the damage condition of the first 10% of the wall can be useful to estimating the level of damage throughout the vessel wall, perhaps high frequency surface waves or eddy current techniques could also be used with the scanner units to detect cluster, vacancy scattering, and conductivity changes that might be caused by radiation damage, respectively. If this is the case, then perhaps a very sensitive near-surface approach such as eddy current could be useful in characterizing the damage that exists in the material.

The phased array and eddy current techniques require scanning. However, the fixed angle ultrasonic approach could be used in a monitoring mode where the sensor is permanently attached to the RPV and periodic data is collected. In the monitoring mode, often the defect detection sensitivity can be increased by a factor of 2–5. It would be interesting to conduct experiments using this approach on well-characterized test samples to determine if conventional ultrasonic bulk waves can be used to adequately detect and characterize radiation-type damage.

Zone-focused transducers can be used to form highly focused inspection beams at various depth in the pressure vessel wall. This approach has been proven effective in the detection of titanium alpha regions in large billets of titanium. However, if zone focus is used, many more transducers are required and the inspection scan speed is reduced by perhaps a factor 10. Some attempts have been made to use phased array transducers to generate focused beams that have focuses varying as a function of time at high speeds; however, phased arrays usually cannot achieve the high degree of focus that single, large diameter transducer elements can achieve. Work needs to be done to evaluate this concept for detecting defects on the order of 300 μm or less.

4. NDE RESEARCH ROADMAP

The purpose of the LWRS NDE RPV workshop was to develop content for this report. The focus was on technical gaps in NDE techniques for detecting embrittlement and weld cracking in RPVs. It was felt that it was important to develop a comprehensive vision for what DOE should attempt to accomplish with its research funding in regard to NDE techniques applied to RPVs. The resulting Roadmap would then be a detailed plan for implementing this vision; specific and concrete early in the plan's execution, but less detailed and more directional later in the plan to allow for incorporation of research accomplishments and integration with EPRI and NRC efforts. The vision is extremely important because it must mesh with the goals and accomplishments of the EPRI and NRC efforts and enumerate and guide long-term goals and commitments on DOE's part.

The development of a DOE vision for RPV NDE R&D is important because experimental evidence from the LWRS MAAd Pathway indicates that the currently utilized models for RPV lifetime may not be conservative at high fluence. Accelerated test reactor irradiations suggest that current models underpredict the DBTT at 30 year life, which means that the predicted RPV lifetime may be less than actual. However, this may be due to the accelerated testing at higher flux rates and may not actually occur in an operating RPV. Conversely, new phenomena may emerge at high exposures over long times, like late blooming phases which is rapid embrittlement of steels due to increased manganese-nickel-rich precipitates forming at high fluence levels.

Development of one or more NDE techniques that can assist in the determination of current RPV fracture toughness as well as in prediction of fracture toughness with further aging of the vessel (particularly in the presence of microcracks or other stress concentrators) is essential. The NDE measurements and the corresponding models that can verify their applicability to the problem, sensitivity to embrittlement and microcracking, and accuracy in characterizing physical properties of RPV steel to establish correlations with RPV fracture toughness will provide important information to the LWRS program. This incorporation of an NDE modeling effort into the DOE vision is important. Modeling efforts that correlate theoretical calculations with experimental results are extremely important to the current RPV lifetime predictions, which are model based, and there is no reason to expect contributions from NDE technologies to be any different.

The major emphasis of this workshop discussed the feasibility of using NDE techniques to determine embrittlement of commercial nuclear RPVs. Minor emphasis was placed on emerging NDE techniques that provide better insight into cracking and especially incipient cracking of RPVs.

Three important NDE research areas relative to RPVs were identified during the workshop:

1. NDE measurements towards RPV embrittlement determination must measure steel properties that can be correlated with the steel's crack propagation during reactor accident conditions.
2. A comprehensive and well-characterized set of irradiated RPV steel samples needs to be assembled to support NDE technique research.
3. NDE techniques utilized towards RPV embrittlement determination must provide information on embrittlement throughout the thickness of the RPV.

Attempts to use NDE techniques to detect RPV embrittlement have been ongoing since the 1960s without significant success. The traditional approach to determining NDE applicability to detection of embrittlement in steels has been mainly experimental, with measurements on samples with varying degrees of embrittlement to see if there is any correlation to the fracture toughness of the steel. In many cases, these measurements have been made on surrogate specimens (i.e., specimens with varying hardness levels but not necessarily the same sort of microstructure that is indicative of irradiation embrittlement).

While this type of research is essential (and still necessary), the DOE vision for NDE research on RPVs needs to expand upon this experimental work to include modeling efforts that assist in first principle understanding of NDE measurements versus changes in steel physical properties, as well as approaches to determine the correlation of that measurement with any crack propagation during accident conditions.

In the past, metallurgists have based their models for RPV lifetime predictions on irradiation temperature, phosphorous and manganese content in the RPV steel, effective fast fluence, neutron flux rate, effective copper content, standard reference materials, threshold for copper effects, and copper saturation effects. These models are supported by Charpy V-notch testing and the resulting DBTT. Metallurgists are just now beginning to build models that are hoped to be able to predict RPV lifetime based on destructive microstructure characterizations. As these models continue to be developed and refined, there will be a growing need to establish nondestructive microstructure characterization capabilities. The development of NDE techniques that can establish the necessary microstructure characterization throughout the thickness of an RPV for incorporation into RPV lifetime prediction models based upon microstructure characterization is the vision for DOE NDE RPV R&D research.

The fracture toughness of steel depends upon several microstructure factors, especially lattice defects such as vacancies, dissolved atoms, dislocation loops, solute clusters, precipitates, dislocation, and grain and phase boundaries. Major obstacles to the use of NDE for embrittlement quantification have been (1) the length scales of the features of interest (several nm) relative to the gauge length of typical NDE methods (100s of um and up), and (2) the sensitivity of NDE techniques to multiple factors. The result is the inability (with high confidence), with a single measurement, to distinguish between multiple factors and correlate the measurement to the fracture toughness.

As stated previously, when metallurgists are characterizing the microstructure of RPV steels, they employ multiple techniques such as transmission electron microscopy, atom probe tomography, small angle neutron scattering, and positron annihilation. Therefore, it is probably unreasonable to expect that a single NDE technique will be able to provide a comprehensive characterization of the microstructure of RPV steels, much less an estimate of the remaining useful life of a RPV. Therefore, it is prudent to investigate using multiple NDE methods to obtain a reasonable, if not completely comprehensive, characterization of the RPV steel microstructure in hopes of being able to then correlate this microstructure with remaining useful life. This multi-method characterization is supported by current research by the Fraunhofer Institute for Non-Destructive Testing (IZFP) in Saarbrücken, Germany [98]. There, a method called the Micromagnetic 3MA-method (micromagnetic, multi-parameter microstructure, and stress analysis) is used to provide an NDE-based microstructure characterization. The 3MA-method combines the NDE methods of Barkhausen noise, incremental permeability, time-dependent magnetic field strength, and multifrequency eddy current in an attempt to characterize steel microstructure. This roadmap must include evaluation of multi-method NDE characterization research.

The vision for DOE work in the RPV area centers around efforts to understand how embrittlement (or the presence of microcracking, especially in the vicinity of fabrication flaws in welds) impacts the physical properties of the steel that NDE techniques are capable of measuring, the sensitivity of these NDE techniques, and how those measurements can then be related to the fracture toughness of the steel (or to other related properties). The DOE research into NDE for RPV steels under the LWRS program needs to focus on addressing these gaps. The correlation of the measurement output from NDE technologies to the performance of the RPV under accident conditions is difficult and must encompass several related, but different relationships: (1) correlate the NDE measurement with the steel microstructure, (2) correlate the steel's microstructure with the fracture toughness, and (3) correlate the fracture toughness with performance under accident conditions. All of these correlations and relationships must be considered in this roadmap.

A consistent theme from all the LWRS NDE workshops and especially from the RPV workshop was that a comprehensive and fully characterized common set of samples for NDE experimentation needs to be assembled. The required RPV sample set is somewhat unique in that it needs to (1) be irradiated over a range of fluence using the appropriate flux and temperature conditions, (2) represent a number of base material and impurity compositions, and (3) be able to allow verification of NDE techniques from ½-Charpy-sized samples to those that representative of full RPV thicknesses. A study needs to be included in the roadmap to determine the required (1) fluence levels, (2) irradiation flux, (3) irradiation temperature, (4) necessity of using irradiated samples, (5) base material(s), (6) material impurities, (7) material impurity concentration, (8) sizes, and (9) number of samples. Statistical design of experimental methods may be applied to reduce the number of specimens necessary for comprehensive evaluation of NDE methods. To achieve the DOE vision for NDE research on RPVs, this sample set must be assembled under the implementation of the roadmap.

The workshop concluded that some emerging NDE techniques appear to show promise for detecting and characterizing microstructural changes in RPV steels. These techniques include nonlinear ultrasonic, micromagnetic measurements and Seebeck-effect-based techniques. These techniques may offer a method of nondestructive characterization of RPV steel which can then possibly be correlated to its fracture toughness and finally to predict the RPV lifetime and performance under accident conditions. The roadmap must include some evaluation, research, and development of a limited number of NDE techniques that show promise. However, the roadmap's vision should allow for advancements in other techniques and allow their inclusion should they prove to be viable.

4.1 SHORT-TERM IMPLEMENTATION STRATEGY

4.1.1 Assemble Comprehensive, Well-Characterized Sample Set for NDE Research – Priority 1

All four workshops identified this as a critical need for DOE NDE R&D. A study to determine all required and necessary aspects of the sample set should be undertaken. The available and existing samples should be determined, and the needed samples should be procured through the appropriate steps.

4.1.2 Evaluate, Research, and Develop Candidate NDE Techniques for RPV Microstructure Characterization – Priority 1

Multiple NDE techniques are probably required for RPV material characterization. The RPV workshop identified three NDE candidate technologies: (1) nonlinear ultrasonic, (2) Barkhausen noise, and (3) Seebeck coefficient. These candidate NDE technologies should be further evaluated and, if deemed appropriate for the task, researched to determine their capabilities and limitations using the portion of the sample set that is currently available.

There is also some basic research to be performed under this task, such as identifying the degradation modes in RPV materials and determining the material parameters measurable by these NDE techniques that correlate with the identified degradation. Once this is accomplished, the appropriate NDE sensing modes that capture the degradation signature can be determined, and the sensors necessary to make these measurements with adequate sensitivity can be developed. With adequate sensors, the number of sensors necessary to provide coverage for critical areas throughout the depth of RPV sections can be determined, and NDE signatures to identify degradation mechanisms of interest can be developed.

4.1.3 Establishment of NDE Modeling Efforts – Priority 2

A modeling effort needs to be undertaken to establish modeling of the NDE measurements and development of models to verify the applicability of their measurement to embrittlement and

microcracking. Additionally, modeling of NDE techniques must be begun to determine their accuracy in characterizing physical properties of RPV steels and to establish model correlation with RPV fracture toughness and prediction of RPV remaining useful life.

4.1.4 Integration of MAaD Pathway RPV Lifetime Modeling with NDE Modeling Effort – Priority 2

An effort must be initiated to coordinate the MAaD Pathway modeling efforts based upon destructive microstructure characterization with the NDE modeling efforts based upon nondestructive microstructure characterization.

4.1.5 Short-Term Implementation Notional Milestones and Budget

<u>Task</u>	<u>Milestone</u>	<u>Budget</u>
Assemble Comprehensive, Well-Characterized Sample Set for NDE Research	9/13	\$400K
Determine necessary aspects (fluence levels, material makeup, impurity composition, size, etc.) of the sample set		
Use statistical design of experimental methods to reduce the number of samples required		
Determine how much of the needed sample set is already available		
Determine how to obtain needed samples that are not already available		
Obtain needed samples that are not already available	9/15	\$1M
Evaluate, Research, and Develop Candidate NDE Techniques for RPV Microstructure Characterization	9/17	\$4.2M
Identify degradation modes in materials of interest		
Determine measurable material parameters that correlate with degradation		
Identify a small number of appropriate NDE sensing technologies to capture the degradation signature		
Develop the sensors and processing necessary to make these measurements with adequate sensitivity		
Determine the effective field of view for these sensors to determine optimal inspection locations		
Determine the numbers of sensors needed to provide coverage for critical areas using risk-based methods		
Analyze NDE measurements to identify signatures corresponding to degradation mechanisms of interest		
Establishment of NDE Modeling Efforts	9/20	\$12M
Develop physical models to identify the measurable parameters		
Develop physical models to identify the NDE sensing modes		

- Model NDE measurements
- Develop models that verify the applicability of measurements to embrittlement and microcracking
- Model the accuracy of NDE techniques in characterizing physical properties
- Establish model correlation with RPV fracture toughness
- Establish model of prediction of RPV remaining useful life

Integration of MAaD Pathway RPV Lifetime Modeling with NDE Modeling Effort **9/20** **\$7M**

- Coordinate destructive materials microstructure characterization models with nondestructive characterization models
- Introduce nondestructive microstructure characterization into developing materials microstructure characterization models to predict RPV remaining useful life

4.2 LONG-TERM IMPLEMENTATION STRATEGY

DOE NDE R&D efforts in the long term should continue, refine, and expand all of the short-term aspects. Additionally, as appropriate, the R&D efforts should be expanded to include evaluation and R&D of microstructure characterization throughout the RPV thickness. The long-term R&D efforts should furthermore include the development of NDE characterization multi-methods as well as the correlation of NDE measurements to microstructure phenomenon, the correlation of microstructure phenomenon with fracture toughness, the correlation of fracture toughness with predicted RPV useful lifetime, and the correlation of fracture toughness with RPV performance under accident conditions. The long-term R&D strategy should also allow the incorporation of new or improved NDE technologies not included in the short-term NDE technology evaluation and R&D.

4.2.1 Long-Term Implementation Notional Milestones and Budget

<u>Task</u>	<u>Milestone</u>	<u>Budget</u>
Evaluate, research, and develop microstructure characterization throughout the RPV thickness	9/18	\$1M
Develop NDE characterization multi-methods	9/16	\$1M
Correlate NDE measurements to microstructure phenomenon	9/17	\$2M
Correlate microstructure phenomenon with fracture toughness	9/18	\$4M
Correlate fracture toughness with predicted RPV useful lifetime	9/20	\$4M
Correlate fracture toughness with RPV performance under accident conditions	9/22	\$4M
Incorporate new or improved NDE technologies	9/19	\$3M

5. CONCLUSIONS

Application of NDE techniques to determine embrittlement of in-service RPVs is a very difficult problem. Work has been ongoing in this area since the 1960s with little success. However, recent research in this area has been encouraging. Several NDE techniques, including nonlinear ultrasonic, magnetic Barkhausen noise, and Seebeck coefficients, have shown promise in laboratory tests for characterizing important microstructure aspects of steel related to embrittlement. Additionally, metallurgists are beginning to develop models that relate steel microstructure characteristics obtained from destructive testing to its embrittlement. As these modeling efforts develop and are refined, there will be a need to provide nondestructive methods for microstructure characterization that can be applied to RPVs in-situ to assist in confirming their remaining useful lifetime.

This report has identified several important R&D tasks for NDE research related to RPVs:

- Evaluate, research, and develop candidate NDE techniques for RPV microstructure characterization
 - Identify degradation modes in materials of interest
 - Determine measurable material parameters that correlate with degradation
 - Identify a small number of appropriate NDE sensing technologies to capture the degradation signature
 - Develop the sensors and processing necessary to make these measurements with adequate sensitivity
 - Determine the effective field of view for these sensors to determine optimal inspection locations
 - Determine the numbers of sensors needed to provide coverage for critical areas using risk-based methods
 - Analyze NDE measurements to identify signatures corresponding to degradation mechanisms of interest
- Assemble a comprehensive, well-characterized sample set for NDE research
 - Determine necessary aspects (fluence levels, material makeup, impurity composition, size, etc.) of the sample set
 - Use statistical design of experimental methods to reduce the number of samples required
 - Determine how much of the needed sample set is already available
 - Determine how to obtain needed samples that are not already available
- Establish NDE modeling efforts
 - Develop physical models to identify the measurable parameters
 - Develop physical models to identify the NDE sensing modes
 - Model NDE measurements
 - Develop models that verify the applicability of measurements to embrittlement and microcracking
 - Model the accuracy of NDE techniques in characterizing physical properties
 - Establish model correlation with RPV fracture toughness
 - Establish model of prediction of RPV remaining useful life
- Integrate MAAD Pathway RPV lifetime modeling with the NDE modeling effort
 - Coordinate destructive materials microstructure characterization models with nondestructive characterization models

- Introduce nondestructive microstructure characterization into developing materials microstructure characterization models to predict RPV remaining useful life
- Evaluate, research, and develop microstructure characterization throughout the RPV thickness
- Develop NDE characterization multi-methods
- Correlate NDE measurements to microstructure phenomenon
- Correlate microstructure phenomenon with fracture toughness
- Correlate fracture toughness with predicted RPV useful lifetime
- Correlate fracture toughness with RPV performance under accident conditions
- Incorporate new or improved NDE technologies

Note that coordinating activities with the LWRS Risk pathway (to integrate prognostics results into dynamic PRA models) and the LWRS I&C pathway [to integrate results into plant Instrumentation and Controls (I&C) systems and Operations and Maintenance (O&M) practices] will be necessary to ensure that the results of these activities are appropriately included in the license extension decision-making process and plant O&M activities.

6. REFERENCES

1. NRC, *Information Digest, 2011–2012*, NUREG-1350, Vol. 23, US Nuclear Regulatory Commission, Washington, DC, 2011.
2. A. D. Chockie, K. A. Bjorkelo, T. E. Fleming, W. B. Scott, and W. I. Enderlin, *Maintenance Practices to Manage Aging: A Review of Several Technologies*, PNL-7823, Pacific Northwest Laboratory, Richland, Washington, 1991.
3. L. J. Bond, "Predictive engineering for aging infrastructure," pp. 2–13 in *Nondestructive Evaluation of Utilities and Pipelines III, Proc. of SPIE*, Newport Beach, California, 1999.
4. F. Gregor and A. Chockie, *Performance Monitoring of Systems and Active Components*, CGI Report 06:21, Chockie Group International, Inc., Seattle, Washington, 2006.
5. L. J. Bond, S. R. Doctor, and T. T Taylor, *Proactive Management of Materials Degradation – A Review of Principles and Programs*, PNNL-17779, Pacific Northwest National Laboratory, Richland, Washington, 2008.
6. G. Griffith, R. Youngblood, J. Busby, B. Hallbert, C. Barnard, and K. McCarthy, *Light Water Reactor Sustainability Program Integrated Program Plan*, INL/EXT-11-23452, Idaho National Laboratory, Idaho Falls, Idaho, 2012.
7. N. J. Diaz, "The Very Best-Laid Plans (the NRC's Defense-in Depth Philosophy)," 3rd Annual Homeland Security Summit; Session on The Best-Laid Plans: A Case Study in Preparedness Planning, US Nuclear Regulatory Commission, Washington, DC, 2004. Available at <http://www.nrc.gov/reading-rm/doc-collections/commission/speeches/2004/s-04-009.html>.
8. NRC, *Generic Aging Lessons Learned (GALL) Report*, NUREG-1801, US Nuclear Regulatory Commission, Washington, DC, 2001.
9. NRC, *Generic Aging Lessons Learned (GALL) Report – Summary*, NUREG-1801, Vol. 1, Rev. 1, Office of Nuclear Reactor Regulations, US Nuclear Regulatory Commission, Washington, DC, 2005.
10. NRC, *Generic Aging Lessons Learned (GALL) Report – Tabulation of Results*, NUREG-1801, Vol. 2, Rev. 1, Office of Nuclear Reactor Regulations, US Nuclear Regulatory Commission, Washington, DC, 2005.
11. NRC, *Generic Aging Lessons Learned (GALL) Report – Final Report*, NUREG-1801, Rev. 2, Office of Nuclear Reactor Regulations, US Nuclear Regulatory Commission, Washington, DC, 2010.
12. NRC, *Final Report – Standard Review Plan for Review of License Renewal Applications for Nuclear Power Plants*, NUREG-1800, Rev. 2, US Nuclear Regulatory Commission, Washington, DC, 2010.
13. 10 CFR 50.55a, "Codes and Standards," *Code of Federal Regulations*, US Nuclear Regulatory Commission, Washington, DC, 2007. Available at <http://www.nrc.gov/reading-rm/doc-collections/cfr/part050/part050-0055a.html>.
14. EPRI, *TR-105696-R11 (BWRVIP-03) Revision 11: BWR Vessel and Internals Project, Reactor Vessel and Internals Examination Guidelines*, TR-1016584, Electric Power Research Institute, Palo Alto, California, 2008.
15. EPRI, *Materials Reliability Program: Pressurized Water Reactor Internals Inspection and Evaluation Guidelines (MRP-227-A)*, TR-1022863, Electric Power Research Institute, Palo Alto, California, 2011.
16. L. J. Chockie, "PVRC Round Robin Ultrasonic Program, results and assessment of reliability," pp. 361–379 in *Nondestructive Evaluation in the Nuclear Industry – 1980*, American Society for Metals, Metals Park, Ohio, 1981.

17. S. R. Doctor, "NDE reliability assessment," pp. 323–335 in *Non-Destructive Examination for Pressurised Components*, August 1983, Monterey, California, Elsevier Applied Science Publishers, London, 1984.
18. J. T. Fong, "NDE reliability through round robin testing," presented at the 4th National Congress on Pressure Vessels and Piping Technology, Portland, Oregon, June 1983 and the 1986 Pressure Vessels and Piping Conference and Exhibition, Chicago, Illinois, July 1986, American Society of Mechanical Engineers, New York, 1986.
19. D. J. Bates, S. R. Doctor, P. G. Heasler, and E. Burck. *Stainless Steel Round Robin Test: Centrifugally Cast Stainless Steel Screening Phase*, NUREG/CR-4970, PNL-6266, PISC III Report No. 3, US Nuclear Regulatory Commission, Washington, DC, 1987.
20. R. Nichols and N. McDonald, "An introduction to the PISC II project—programme for the inspection of steel components," *Brit. J. Nondestruct. Testing* **29**(4), 223–227 (1987).
21. A. J. Willetts and F. V. Ammirato, "Objectives and techniques for performance demonstration of in-service examination of reactor pressure vessels," pp. 79–86 in *Performance and Evaluation of Light Water Reactor Pressure Vessels*, June 1987, San Diego, California, 1987.
22. S. R. Doctor, P. Lemaitre and S. Crutzen, "Austenitic steel piping testing exercises in PISC," *Nucl. Eng. Design* **157**(1-2), 231–44 (1995).
23. S. R. Doctor, "Nuclear power plant NDE challenges—past, present, and future," pp. 17–31 in *Review of Progress in Quantitative Nondestructive Evaluation*, July 30–August 4, 2006, Portland, Oregon, DOI 10.1063/1.2717950, American Institute of Physics, Melville, New York, 2007.
24. C. Miller, *Nondestructive Evaluation: A Review of NDE Performance Demonstrations—NDE Round Robin Report*, Report No. 1016969, Electric Power Research Institute, Palo Alto, California, 2008.
25. R. Singh, *Three Decades of NDI Reliability Assessment*, Report No. Karta-3510-99-01, Karta Technology, Inc., San Antonio, Texas, 2000.
26. L. J. Chockie, "Section XI of the ASME Code, a new approach to qualifying procedures and personnel," pp. 83–85 in *7th Int. Conf. on NDE in the Nuclear Industry*, Grenoble, France, 1985.
27. E. D. Eason, G. R. Odette, R. K. Nanstad, and T. Yamamoto, *A Physically Based Correlation of Irradiation-Induced Transition Temperature Shifts for RPV Steels*, ORNL/TM-2006/530, Oak Ridge National Laboratory, Oak Ridge, Tennessee, 2007.
28. G. R. Odette and G. E. Lucas, "Recent progress in understanding reactor pressure vessel embrittlement," *Rad. Effects Defects Solids* **144**, 189–231 (1998).
29. G. R. Odette and B. D. Wirth, "A computational microscopy study of nanostructural evolution in irradiated pressure vessel steels," *J. Nucl. Mater.* **251**, 157–171 (1997).
30. G. R. Odette, B. D. Wirth, D. J. Bacon, and N. M. Ghoniem, "Multiscale-multiphysics modeling of radiation-damaged materials: embrittlement of pressure-vessel steels," *Mater. Res. Soc. Bull.* 176–181 (March 2001).
31. G. R. Odette and R. K. Nanstad, "Predictive reactor pressure vessel steel irradiation embrittlement models: issues and opportunities," *JOM* **61**(7), 17–23 (2009).
32. G. R. Odette and G. E. Lucas, "The effect of heat treatment on irradiation hardening of pressure vessel steels: data trends and mechanisms," pp. 95–104 in G. J. Theus and J. R. Weeks (Eds.), *Proc. 3rd Int. Symp. on Environmental Degradation of Materials for Nuclear Power Systems—Water Reactors*, The Metallurgical Society, 1988.

33. G. R. Odette, G. E. Lucas, D. Klingensmith, B. D. Wirth, and D. Gragg, *The Effects of Composition and Heat Treatment on Hardening and Embrittlement of Reactor Pressure Vessel Steels*, NUREG/CR-6778, U S Nuclear Regulatory Commission, Washington, DC, 2003.
34. Japanese Electric Association (JEA), *Method of Surveillance Tests for Structural Materials of Nuclear Reactors*, Japanese Electric Association Code JEAC 4201-2000, 2000.
35. G. R. Odette and R. K. Nanstad, "Predictive reactor pressure vessel steel irradiation embrittlement models: issues and opportunities," *J. Metals* **61**(7) (2009).
36. E. D. Eason, J. E. Wright, and G. R. Odette, *Improved Embrittlement Correlations for Reactor Pressure Vessel Steels*, NUREG/CR-6551, US Nuclear Regulatory Commission, Washington DC, 1998.
37. M. Kirk, C. Santos, E. D. Eason, J. E. Wright, and G. R. Odette, "Updated embrittlement trend curve for reactor pressure vessel steels," Paper G01-5 in *Trans. 17th Int. Conf. on Structural Mechanics in Reactor Technology (SMiRT 17)*, Prague, Czech Republic, Aug. 17–22, 2003, pp. 1–8.
38. W. Server, C. English, D. Naiman, and S. Rosinski, *Charpy Embrittlement Correlations—Status of Combined Mechanistic and Statistical Bases for U.S. RPV Steels (MRP-45)*, EPRI Report 1000705, Electric Power Research Institute, 2001.
39. ASTM International, *Standard Guide for Predicting Radiation-Induced Transition Temperature Shift in Reactor Vessel Materials, E706 (IIF)*, ASTM E900-02, Annual Book of ASTM Standards, 2002, Reapproved 2007.
40. T. J. Williams, D. Ellis, C. A. English, and J. Hyde, "A model of irradiation damage in high nickel submerged arc welds," *Int. J. Pressure Vessels Piping* **79**, 649–660 (2002).
41. G. R. Odette, T. Yamamoto, and D. Klingensmith, *The Effect of Dose Rate on Irradiation Hardening of RPV Steels: A Comprehensive Single Variable Database and Model Based Analysis*, Letter Report UCSB-NRC-03/1, US Nuclear Regulatory Commission, 2003.
42. M. Kryukov, Y. A. Nikolaev, and A. V. Nikolaeva, "Behavior of mechanical properties of nickel-alloyed reactor pressure vessel steel under neutron irradiation and post-irradiation annealing," *Nucl. Eng. Des.* **186**(3), 353–359 (1998).
43. T. J. Williams, P. R. Burch, C. A. English, and P. H. N. de la Cour Ray, "The effect of irradiation dose rate and temperature, and copper and nickel content, on the irradiation shift of low alloy steel submerged arc welds," pp. 121–131 in G. J. Theus and J. R. Weeks (Eds.), *3rd Int. Symp. on Environmental Degradation of Materials in Nuclear Power Systems—Water Reactors*, The Metallurgical Society, 1988.
44. M. K. Miller, P. Pareige, and M. G. Burke, "Understanding pressure vessel steels: an atom probe perspective," *Mater. Charact.* **44**, 235–254 (2000).
45. T. J. Williams and W. J. Phythian, "Electron microscopy and small angle neutron scattering study of precipitation in low alloy submerged arc welds," pp. 191–205 in D. S. Gelles et al. (Eds.), *17th Int. Symp. on the Effects of Irradiation on Materials*, ASTM STP 1270, ASTM, 1996.
46. G. R. Odette and C. Cowan, "Use of combined electrical resistivity and Seebeck coefficient measurements to characterize solute redistribution under irradiation and thermal aging," in G. S. Was et al. (Eds.), *Proc. 10th Int. Symp. on Environmental Degradation of Materials in Light Water Reactors*, NACE (CD), 2001.
47. International Atomic Energy Agency, *Effects of Nickel on Irradiation Embrittlement of Light Water Reactor Pressure Vessel Steels*, IAEA-TECDOC-1441, Vienna, Austria, June 2005.

48. G. R. Odette and G. E. Lucas, "The effect of nickel on radiation hardening of pressure vessel steels," pp. 323–347 in *Effects of Irradiation on Materials—14th Symp.*, ASTM-STP-1046, American Society for Testing and Materials, Philadelphia, 1989.
49. G. R. Odette, "Modeling of irradiation embrittlement in pressure vessel steels," pp. 438–504 in *Irradiation Effects on Pressure Vessel Steels*, IAEA IRRWG-LMNPP-98-3, International Atomic Energy Agency, Vienna, 1998.
50. G. R. Odette, "Radiation induced microstructural evolution in reactor pressure vessel steels," pp. 137–148 in I. M. Robertson et al. (Eds.), *Microstructure Evolution During Irradiation*, Mater. Res. Soc. Symp. Proc. 373, Materials Research Society, 1995.
51. G. R. Odette, C. L. Liu, and B. D. Wirth, "On the composition and structure of nanoprecipitates in irradiated pressure-vessel steels," pp. 457–469 in I. M. Robertson et al. (Eds.), *Microstructure Evolution During Irradiation*, Mater. Res. Soc. Symp. Proc. 439, Materials Research Society, 1997.
52. F. W. Stallmann, J. A. Wang, F. B. K. Kam, and B. J. Taylor, *PR-EDB: Power Reactor Embrittlement Data Base, Version 2*, NUREG/CR-4816 (ORNL/TM-10328/R2), US Nuclear Regulatory Commission, Washington, DC, 1994.
53. M. Blaszkiwicz, "The development of nondestructive evaluation (NDE) for monitoring the embrittlement in nuclear reactor pressure vessels," *Mater. Sci. Forum* **210-213**, 9–16 (1996).
54. KeeOk Change, ByoungChul Kim, and SamLasi Lee, "The research activities of irradiation damage evaluation on reactor pressure vessel materials using NDE techniques in Korea," Korea Atomic Energy Research Institute, 10th APCNDT, Brisbane, 2001.
55. Harry McHenry, *Nondestructive Characterization of Reactor Pressure Vessel Steels: A Feasibility Study*, NIST Technical Note 1500-4, Final Report of NRC Program RES-97-005, National Institute of Standards and Technology, 1998.
56. B. Acosta, M. Delnondedieu, J. Bros, M. Brumovsky, G. Dobmann, F. Gaillemot, P. Haun, P. Kauppinen, G. Maussner, M. Niffenegger, R. Oettel, F.J. Perosanz, A. Rogerson, D. Stegemann, and B. van der Schaaf, "Project GRETE: evaluation of non-destructive testing techniques for monitoring of material degradation," *NDT.net* **7(8)** (2002).
57. D. C. Hurley, D. Balzar, and P. T. Purtscher, *J. Mater. Res.* **15(9)**, 2036–2042 (2000).
58. C. Pruell, J.-Y. Kim, J. Qu, and L. J. Jacobs, *Smart Mater. Struct.* **18(3)**, 035003–035007 (2009).
59. J. H. Cantrell and W. T. Yost, *Int. J. Fatigue* **23**, S487–S490 (2001).
60. M. A. Breazeale and J. Ford, *JAP* **36(11)**, 3486–3490 (1965).
61. A. Viswanath, B. P. C. Rao, S. Mahadevan, P. Parameswaran, T. Jayakumar, and B. Raj, *J. Mater. Process. Technol.* **211**, 538–544 (2011).
62. S. Baby, B. N. Kowmudi, C. M. Omprakash, D. V. V. Satyanarayana, K. Balasubramaniam, and V. Kumar, *Scripta Mater.* **59(8)**, 818–821 (2008).
63. K. H. Matlack, J. J. Wall, J.-Y. Kim, J. Qu, L. J. Jacobs, and H.-W. Viehrig, *JAP* **111(5)**, 054911–054913 (2012).
64. S. Kobayashi et al., "Magnetic evaluation of irradiation hardening in A533B reactor pressure vessel steels: magnetic hysteresis measurements and the model analysis," *J. Nucl. Mater.* **422(1–3)**, 158–162 (2012).
65. S. Kobayashi et al., "The effect of copper and manganese on magnetic minor hysteresis loops in neutron irradiated Fe model alloys," *J. Nucl. Mater.* **384(2)**, 109–114 (2009).

66. D. C. Jiles, "Dynamics of domain magnetization and the Barkhausen effect," *Czech. J. Phys.* **50**(8), 893–988 (2000).
67. O. Stupakov et al., "Measurement of Barkhausen noise and its correlation with magnetic permeability," *J. Magnetism Magnetic Mater.* **320**(3-4), 204–209 (2008).
68. R. Ranjan, O. Buck, and R. B. Thompson, "A study on the effect of dislocation on the magnetic properties of nickel using magnetic NDE methods," *J. Appl. Phys.* **61**(8), 3196–3198 (1987).
69. T. W. Krause, L. Clapham, and D. L. Atherton, "Characterization of the magnetic easy axis in pipeline steel using magnetic Barkhausen noise," *J. Appl. Phys.* **75**(12), 7983–7988 (1994).
70. R. Ranjan et al., "Grain size measurement using magnetic and acoustic Barkhausen noise," *J. Appl. Phys.* **61**(8), 3199–3201 (1987).
71. D. O. Sullivan et al., "Characterisation of ferritic stainless steel by Barkhausen techniques," *NDT&E Int.* **37**(6), 489–496 (2004).
72. E. S. Gorkunov, Y. N. Dragoshanskii, and M. Mikhovski, "Barkhausen noise and its utilization in structural analysis of ferromagnetic materials" (review article on V-effects of volume and surface thermal processing), *Russian J. NDT* **36**(6), 389–417 (2000).
73. C. Hakan Gur and I. Cam, "Comparison of magnetic Barkhausen noise and ultrasonic velocity measurements for microstructure evaluation of SAE 1040 and SAE 4140 steels," *Mater. Charact.* **58**(5), 447–454 (2007).
74. P. S. Sagar et al., "Magnetic Barkhausen emission to evaluate fatigue damage in a low carbon structural steel," *Int. J. Fatigue* **27**(3), 317–322 (2005).
75. A. P. Parakka et al., "Effect of surface mechanical changes on magnetic Barkhausen emissions," *IEEE Trans. Magnet.* **33**(5), ES-09 (1997).
76. L. B. Sipahi, M. R. Govindaraju, and D. C. Jiles, "Monitoring neutron embrittlement in nuclear pressure vessel steels using micromagnetic Barkhausen emissions," *J. Appl. Phys.* **75**(10), 6981–6983 (1994).
77. G. Dobmann, L. Debarberis, and J.-F. Coste, "Aging material evaluation and studies by non-destructive techniques (AMES-NDT)—a European network project," *Nucl. Eng. Design* **206**(2-3), 363–374 (2001).
78. G. Dobmann, I. Altpeter, and M. Kopp, "Nondestructive materials characterization of irradiated nuclear pressure-vessel steel samples by the use of micromagnetic techniques and in terms of mechanical properties," *Russian J. Nondestruct. Testing* **42**(4), 272–277 (2006).
79. J. A. Perez-Benitez et al., "A model for the influence of microstructural defects on magnetic Barkhausen noise in plain steels," *J. Magnetism Magnetic Mater.* **288**, 433–442 (2005).
80. J. Kameda and R. Ranjan, "Nondestructive evaluation of steels using acoustic and magnetic Barkhausen signals – I. Effect of carbide precipitation and hardness," *Acta Metallurg.* **35**(7), 1515–1526 (1987).
81. V. Moorthy et al., "Microstructural characterization of quenched and tempered 0.2% carbon steel using magnetic Barkhausen noise analysis," *J. Magnetism Magnetic Mater.* **171**, 179–189 (1997).
82. K. Sobczyk and D. Kirkner, *Stochastic Modeling of Microstructures*, Birkhauser, Boston, 2001.
83. T. W. Krause, A. Pattantyus, and D. L. Atherton, "Investigation of strain dependent magnetic Barkhausen noise in steel," *IEEE Trans. Magnet.* **31**(6), 3376–3378 (1995).

84. M. Lindgren and T. Lepistö, "Effect of prestraining on Barkhausen noise vs. stress relation," *NDT&E Int.* **34**(5), 337–344 (2001).
85. F. F. Csikor et al., "Dislocation avalanches, strain bursts, and the problem of plastic Forming at the micrometer scale," *Science* **318**(5848), 251–254 (2007).
86. ASNT, *Nondestructive Testing Handbook, Third Edition: Volume 5, Electromagnetic Testing*, S. S. Udpa and P. O. Moore, Eds., American Society for Nondestructive Testing, Columbus, Ohio, 2004.
87. Jiangtao Hu and Peter B. Nagy, "On the role of interface imperfections in thermoelectric nondestructive materials characterization," *Appl. Phys. Lett.* **73**(4), 467–469 (1998).
88. L. Debarberis et al., "Studies of radiation embrittlement of model alloys by positron annihilation, thermo-electric and magnetic measurements," *NDT&E Int.* **37**(1), 19–22 (2004).
89. B. Acosta et al., "Cu effects on radiation embrittlement of Ni-containing complex model alloys and the related potentials of the thermoelectric method," *NDT&E Int.* **37**(4): 321–324 (2004).
90. M. Niffenegger, K. Reichlin, and D. Kalkhof, "Application of the Seebeck effect for monitoring of neutron embrittlement and low-cycle fatigue in nuclear reactor steel," *Nucl. Eng. Design* **235**(17-19), 1777–1788 (2005).
91. F. Sevini, B. Acosta, and L. Debarberis, "Combined thermo-electric power and resistivity measurements of embrittlement recovery in aged JRQ ferritic steel," *Int. J. Pressure Vessels Piping* **83**(7), 525–530 (2006).
92. M. Niffenegger and H. J. Leber, "Monitoring the embrittlement of reactor pressure vessel steels by using the Seebeck coefficient," *J. Nucl. Mater.* **389**(1), 62–67 (2009).
93. X. Wang, E. Pan, and J. D. Albrecht, "Role of material property gradient and anisotropy in thermoelectric materials," *New J. Phys.* **10**, 083019 (2008). (doi:10.1088/1367-2630/10/8/083019)
94. Kyung-Young Jhang, "Nonlinear ultrasonic techniques for nondestructive assessment of micro damage in materials, a review," *Int. J. Precis. Eng. Manuf.* **10**(1), 123–135 (2009).
95. P. J. Highmore, A. Rogerson, and L. N. J. Poulter, "The ultrasonic inspection of PISC II Plate 2 by the Risley Nuclear Laboratories," *Brit. J. NDT*, p. 9. (1988).
96. Application note "Defect sizing in pipeline welds – what can we really achieve," www.olympus-ims.com/en/application/defect-sizing-pipe-welds/
97. F. Kopp, G. Perkins, G. Prentice, and D. Stevens, "Production and inspection issues for steel catenary risers," Offshore Technology Conference, Houston, May 2003.
98. I. Altpeter, G. Dobmann, G. Hubschen, M. Kopp, and R. Tschunchy, at *8th International Conference on NDE in Relation to Structural Integrity for Nuclear and Pressurised Components*, Oct 29–Nov. 1, 2010, Berlin, Germany.

**APPENDIX A: LIST OF ATTENDEES FOR LWRS NDE RPV R&D
ROADMAP WORKSHOP**

**Light Water Reactor Sustainability Nondestructive Evaluation Workshops
Reactor Pressure Vessel Workshop Attendee List
August 1, 2012**

Name	Affiliation
Sasan Bakhtiari	Argonne National Laboratory
Leonard Bond	Iowa State University
Cy Smith	Oak Ridge National Laboratory
Dwight Clayton	Oak Ridge National Laboratory
Kevin Simmons	Pacific Northwest National Laboratory
Pradeep Ramuhalli	Pacific Northwest National Laboratory
David Brenchley	Pacific Northwest National Laboratory
Wes Hines	University of Tennessee, Knoxville
John Lareau	WesDyne
James Wall	Electric Power Research Institute
John Burke	Nuclear Regulatory Commission
Carol Nove	Nuclear Regulatory Commission
Venu Varma	Oak Ridge National Laboratory
Thomas Rosseel	Oak Ridge National Laboratory
Jamie Coble	Pacific Northwest National Laboratory
Mike Anderson	Pacific Northwest National Laboratory
Kevin Newell	Zetec
Glenn Light	Southwest Research Institute
Larry Jacobs	Georgia Tech
Katie Matlack	Georgia Tech
Bradley A. Regez	Northwestern University
Randy Nanstad	Oak Ridge National Laboratory
Blake Van Hoy	Oak Ridge National Laboratory
Roberto Lenarduzzi	Oak Ridge National Laboratory
Mike Hileman	Oak Ridge National Laboratory

APPENDIX B: LWRS NDE RPV R&D WORKSHOP AGENDA

LWRS RPV NDE Workshop Agenda

August 1

The purpose of this workshop is to develop content for the LWRS NDE R&D Roadmap. The focus will be on NDE techniques for detecting embrittlement and weld cracking in reactor pressure vessels.

7:30 am Registration

8:00 am Welcome & Workshop Overview Cy Smith (ORNL)

8:10 am Introductions David Brenchley (PNNL)

8:30 am Definition of the Problem

Randy Nanstad – ORNL Reactor Pressure Vessel Steel Embrittlement

9:00 am Promising NDE Technologies & Methodologies

Cyrus Smith – ORNL Survey of NDE Technologies - RPV Embrittlement

Pradeep Ramuhalli – PNNL Electromagnetic Methods

Katie Matlack – GA Tech Ultrasonic NDE Methods for RPV Components

Glenn Light – SWRI NDE System Deployment Methods

10:30 am Break

10: 45 am Brainstorming Session Brenchley

11:15 am Define R&D Actions to Address Gaps Brenchley

Working LUNCH

1:30 pm Group Reports & Discussion Brenchley

2:30 pm Prioritize R&D Actions Brenchley

3:30 pm Break

4:00 pm What Next and Assignments Smith

4:30 pm Check-out Brenchley

5:00 pm Thank You & Adjourn Smith

APPENDIX C: SUMMARY OF DOE LWRS NDE WORKSHOP AT ORNL ON NON-DESTRUCTIVE EVALUATION METHODS FOR NUCLEAR REACTOR PRESSURE VESSELS

C.1. INTRODUCTION

This workshop was held at the Conference Center of the Oak Ridge National Laboratory (ORNL) on Wednesday, August 1, 2012. David Brenchley presided over the management of the workshop working together with Cyrus Smith. The workshop began with a “check-in” session whereby each attendee was asked to submit a short list of the topics of their main interest. The overwhelming majority of the responses asked for “correlation between NDE measurements and fracture toughness and a comprehensive.”

Next, presentations were made by Randy Nanstad of ORNL on Reactor Pressure Vessel Steel Embrittlement, Cyrus Smith of ORNL presented an overview of NDE Technologies which has been applied to RPV Embrittlement in the past, Pradeep Ramualli of PNNL discussed Electromagnetic NDE Methods, Katie Matlack of Georgia Tech University gave an overview of Ultrasonic NDE Methods of RPV Components and Glenn Light of Southwest Research Institute discussed NDE System Deployment Methods. Following a brainstorming and discussion session, the participants, which added up to be about 25 people, were divided into three groups to assemble in different breakout rooms. Each group was given the assignment to arrive at a proposal for R&D to address the NDE related gaps in detecting RPV steel embrittlement or RPV cracking. Table C.1 shows the three groups and their respective members:

Table C.1 Work Group Members

Group 1	Group 2	Group 3
– Pradeep Ramuhalli (Lead) PNNL	– Cyrus Smith (Lead) ORNL	– Dwight Clayton (Lead) ORNL
– Sasan Bakhtiara ANL	– Blake Van Hoy ORNL	– Joe Wall EPRI
– Roberto Lenarduzzi ORNL	– Leonard Bond Iowa State University	– Thomas Rosseel ORNL
– Randy Nanstad ORNL	– John LaReau WesDyne Corporation	– Venu Varma ORNL
– Jamie Cobble PNNL	– Larry Jacobs Georgia Tech University	– Glenn Light SWRI
– Katie Matlack Georgia Tech University	– Saurin Majumdar ANL	– John Burke NRC
– Kevin Newell Zetec Corporation	– Mike Anderson PNNL	– Mike Hileman ORNL
– Carol Nowe NRC	– Richard Wright INL	– Bradley Regez Northwestern University
	– Mikhail Sokolov ORNL	

C.2. CONCLUSION OF BREAKOUT SESSIONS

The breakout sessions had about two hours to arrive at their proposals. Following are the main conclusions of work from each group.

C.2.1 GROUP 1 (Head of the Group: Pradeep Ramuhalli)

This group introduced four areas of important gaps and R&D needs to fill these gaps. These areas are identified in the following tables.

Topic 1. Develop & Evaluate Methods to Improve Coupling of Probes and Influence of Environmental Factors on Sensors	
Measurements wanted:	Embrittlement, Dynamic Binary Translation (DBT), Flaw Detection and Sizing
Current NDE Capability:	Coupling changes measurement
The GAP:	Better coupling mechanisms and coupling materials for probes <ul style="list-style-type: none"> • Stationary probes may alleviate issue • Thermoelectric Power (TEP) – Sensor need contact but perhaps coupling (force) not an issue
Research Objective:	Develop and evaluate methods to improve coupling of probes (any kind) and the influence of environmental factors (heat, radiation, corrosive environment, etc.) on the sensors.
Scope of Work:	<ul style="list-style-type: none"> • Samples (Surface characterization needed as well) • Identify measurement methods and probes • Evaluate effect of coupling variability (and surface condition) • Evaluate flexible membranes (for Ultrasonic Testing (UT) or conformable probes) • Other environmental parameters
Expected Outcomes:	<ul style="list-style-type: none"> • Define minimum probe liftoff requirements • New probes robust to surface condition and environmental factors
Schedule:	Not Provided
Budget:	Not Provided
Ranking:	Medium (Will wait for technique demonstration)

Topic 2. Measurements to Resolve/Identify Radiation Induced Features and Understand Volume Effect of Measurement Versus Localized Measurement	
Measurements wanted:	Fracture Toughness, Yield Strength, Ductility to Brittleness Transition Temperature (DBTT)
Current NDE Capability:	Not Provided
The GAP:	Correlate NDE to embrittlement state
Research Objective:	<ul style="list-style-type: none"> • Measurements to resolve/identify radiation induced features <ul style="list-style-type: none"> – Type and volume fraction of precipitate • Understand volume effect of measurement versus localized measurements

Scope of Work:	<ul style="list-style-type: none"> • Literature review • Compare a variety of measurement techniques (nonlinear ultrasonic, electromagnetic, Seebeck, resistivity, etc) on standard set of samples representing <ul style="list-style-type: none"> – Various aging Levels – Compositions – Through Thickness Fluence Variations (look at effect of inside versus outside) as well as distance away from beltline – Welds versus Base Material • Elevated Temperature Examinations
Expected Outcomes:	Data to correlate NDE with fracture toughness
Schedule:	1 to 2 Year evaluation, down-select, intensive evaluation
Budget:	Not Provided
Ranking:	High

Topic 3. Evaluate Fracture Toughness Models for Linkage Between Microstructure and Fracture Toughness	
Measurements wanted:	Evaluate Fracture Toughness Models for Linkage Between Microstructure and Fracture Toughness
Current NDE Capability:	Current NDE capability is limited to flaw detection and sizing (sizing capability limited for small flaws)
The GAP:	Correlation between NDE and Fracture Toughness
Research Objective:	Develop correlation between NDE and Fracture Toughness
Scope of Work:	<ul style="list-style-type: none"> • Analysis methodology • Compare RPV calculations to integrity measurements
Expected Outcomes:	Correlation Models
Schedule:	Wait on Previous Research Topic
Budget:	Not Provided
Ranking:	High

Topic 4. Understand Flaws and Their Impact on Microstructure	
Measurements wanted:	Not Provided
Current NDE Capability:	Not Provided
The GAP:	<ul style="list-style-type: none"> • Not Provided
Research Objective:	Understand flaws and their impact on microstructure (flaw initiation, correlation for closer exam, micro-macro interaction)
Scope of Work:	Compare a variety of measurement techniques (nonlinear ultrasonic, electromagnetic techniques, Seebeck/Resistivity, etc.) on standard set of samples flaws as well as microstructure differences
Expected Outcomes:	Not Provided
Schedule:	Not Provided
Budget:	Not Provided
Ranking:	Medium-High

C.2.2 GROUP 2 (Head of the Group: Cyrus Smith)

This group introduced five areas of important gaps and R&D needs to fill these gaps. These areas are identified in the tables that follow.

Topic 1. Adequacy of Current Models to Address Up to 80 Years RPV Life Predictions	
Measurements wanted:	Are the current material models adequate for up to 80 year life span predictions? The existing models may not be conservative at the higher fluence values as related to the toughness predictions.
Current NDE Capability:	ASME Section XI Requirements, Inspections every 10 years originally, now some are every 20 years
The GAP:	Is ASME Section XI sufficient for 80 year operation? ASME Section XI was written before the Pressurized Thermal Shock (PTS) problem.
Research Objective:	<ul style="list-style-type: none"> • Test fracture toughness at 80 years radiation levels to statistical levels • Develop an NDE techniques to characterize micro-structural changes with correlation to the fracture toughness
Scope of Work:	Irradiate samples to required levels or utilize existing samples Determine the appropriate NDE technologies and down select
Expected Outcomes:	Model validation and the tools required to perform that task
Schedule:	3 to 4 years
Budget:	<ul style="list-style-type: none"> • Hot cell work • Irradiated samples and measurements • 3 FTE/year
Ranking:	High for weld material

Topic 2. Micro-Crack Detection in Welds	
Measurements wanted:	Micro-crack (micron sized originating from slag) detection in welds
Current NDE Capability:	No in-situ capability; lab based material property capability exists
The GAP:	Develop is-situ capability to detect down to the micron size crack
Research Objective:	Develop NDE tools for micro crack detection in first 10% of the RPV thickness
Scope of Work:	<ul style="list-style-type: none"> • Calibrated micro-crack samples with known geometries • Develop NDE techniques (non-linear acoustics) • Signal processing and algorithms
Expected Outcomes:	New inspection methodology (feasibility evaluation).
Schedule:	2 years
Budget:	2 FTE
Ranking:	Medium

Topic 3. Crack Detection Under Pressure Vessel Cladding to Address Pressurized Thermal Shock (PTS)	
Measurements wanted:	Detection of cracks under pressure vessel cladding to address PTS issue
Current NDE Capability:	Electromagnetic capability, ultrasonic high angle longitudinal capability
The GAP:	Expand diagnostic techniques to eliminate false positives and develop possible electromagnetic techniques
Research Objective:	Combine detection and sizing with hybrid technologies (electromagnetic/acoustic) to image with adequate resolution to detect and size flaws under cladding
Scope of Work:	<ul style="list-style-type: none"> • Utilize and gain access to existing samples • Qualify combined techniques utilizing commercial instruments with multiple frequency capabilities • Data fusion to resolve combined outputs

Expected Outcomes:	An improved method for detection, sizing and discrimination (from false positives) of under cladding flaws
Schedule:	1 year
Budget:	4 FTE (1 UT, 1 EM, 1 Simulation, 1 Lead)
Ranking:	High

Topic 4. NDE Techniques to Qualify RPV Toughness Throughout the Weld Thickness	
Measurements wanted:	Quantify toughness throughout the weld thickness
Current NDE Capability:	No NDE techniques can measure fracture toughness directly
The GAP:	Develop NDE technique comparable to mechanical V-Notch Charpy test
Research Objective:	Provide remote evaluation that discriminates between jacket and other cable elements. Provide a tool that can quantify degree of degradation.
Scope of Work:	Provide an NDE technique can be correlated to fracture toughness
Expected Outcomes:	Correlation of one or more NDE techniques that can measure a physical property that can be input into fracture toughness evaluation or models
Schedule:	3 to 5 years for proof of concept
Budget:	4 FTE/year + equipment and samples
Ranking:	This is the Crusade. Without this data, the models will not be valid to predict the material degradation effects in the 60 – 80 year life range

Topic 5. Comprehensive and Well Characterized Material Sample Set for RPV NDE Studies	
Measurements wanted:	<p>Samples</p> <ul style="list-style-type: none"> • For cracking that reflect real work conditions (i.e. cladding processes for the base metal and the weld area are at different times and methods) • For irradiation studies • Use existing samples for micro-cracking studies
Current NDE Capability:	<ul style="list-style-type: none"> • Crack: Existing samples use fatigue cracking as training samples • Embrittlement: Limited sample set in terms of fluence, material, and size
The GAP:	Acquire existing or construct new samples for cracking, embrittlement, and under cladding cracking (508 Class II forging material)
Research Objective:	Assemble a comprehensive and well characterized material sample set for RPV NDE studies
Scope of Work:	<ul style="list-style-type: none"> • Crack: Samples need defects such that they can be isolated, separated, and grouped for discrimination • Embrittlement: Samples need various fluence levels, material composition, and physical size • Need a study to determine a sufficient sample set
Expected Outcomes:	Comprehensive and well characterized RPV material sample set
Schedule:	1 year
Budget:	Under Cladding Crack: 1 foot X 3 foot X 3 inch thick sample - \$250K Micro-crack: Machined part
Ranking:	Necessary - High

C.2.3 GROUP 3 (Head of the Group: Dwight Clayton)

This group also introduced five areas of important gaps and R&D needs to fill these gaps. These areas are summarized in the following tables.

Topic 1. Detection of Microstructure Defects as a Function of Depth	
Measurements wanted:	Detection of microstructure defects (vacancies, clusters, & dislocations) as a function of depth
Current NDE Capability:	Ultrasonic, small angle neutron scattering
The GAP:	Develop field deployable system for characterizing thick sections
Research Objective:	Develop a field deployable system to characterize microstructure defects (vacancies, clusters, dislocations) as a function of depth
Scope of Work:	<ul style="list-style-type: none"> • Identify/use well characterized test samples • Identify technologies • Laboratory demonstration of suite of sensors
Expected Outcomes:	Demonstration of a field deployable system
Schedule:	4 years
Budget:	Year 1: 5 FTE/yr + \$300K/year equipment Year 2-4: 3 FTE + \$150K year equipment
Ranking:	High

Topic 2. Mechanical Properties at 1/4 to 3/4 Thickness	
Measurements wanted:	Mechanical properties at 1/4 to 3/4 thickness
Current NDE Capability:	Limited mechanical properties can be obtained by Eddy Current and high frequency ultrasonic
The GAP:	Develop method for unambiguous measurements of mechanical properties
Research Objective:	Develop a field deployable system to measure mechanical properties
Scope of Work:	<ul style="list-style-type: none"> • Identify/use well characterized test samples • Identify technologies • Laboratory demonstration of suite of sensors
Expected Outcomes:	Demonstration of a field deployable system
Schedule:	4 Years
Budget:	3 FTE + \$150K/year equipment
Ranking:	High

Topic 3. Correlate the Models for Microstructure Conditions as a Function of Measurement Techniques	
Measurements wanted:	Correlation between models and measurements
Current NDE Capability:	Insufficient
The GAP:	Validation of thick sample models
Research Objective:	Correlate the model for microstructure conditions as a function of measurement techniques at different wavelengths
Scope of Work:	Determine relationship between microstructure and inspection field (wavelength) and appropriate signal processing methods
Expected Outcomes:	A correlated model that can be used to predict safety critical microstructure damage
Schedule:	2 Years
Budget:	2.5 FTE/year + \$100K/year equipment
Ranking:	Medium

Topic 4. Develop Well Characterized Samples with Different Levels of Radiation Damage	
Measurements wanted:	Develop well characterized samples with different levels of radiation damage
Current NDE Capability:	Insufficient samples exist for NDE development
The GAP:	Need well characterized samples
Research Objective:	Fabricate well characterized test for various RPV steels up to 10^{19} to 10^{20} n/cm ² fluence
Scope of Work:	Identify several materials and sample geometry
Expected Outcomes:	Well characterized samples
Schedule:	2 Years
Budget:	1.5 FTE/year + \$150K/year materials
Ranking:	Very High

Topic 5. Develop Platform for Testing Various NDE Sensors	
Measurements wanted:	A system for testing various sensors on a deployment platform.
Current NDE Capability:	Current deployment is for ultrasonic
The GAP:	This effort has to be coupled with sensor
Research Objective:	Validate the sensors being developed can be deployed on an RPV (BWR & PWR)
Scope of Work:	Mechanical resolution and accuracy, coupling, attachment requirements
Expected Outcomes:	<ul style="list-style-type: none"> • A platform for demonstrating/mapping (microstructure and physical properties) • A system to provide a full field image of the RPV
Schedule:	2 Years, but delayed by 2 Years
Budget:	3 FTE/Year + \$500K/year materials
Ranking:	High (delayed)

C.3. SPECIFIC RPV RESEARCH-RELATED QUESTIONS

In addition to the proposals submitted by each group, Cyrus Smith assigned a specific RPV related question to each group. These questions and the groups' responses are summarized in Table C.2.

Table C.2. Specific RPV questions for each group

ITEM	GROUP 1: WHAT WOULD AN IDEAL SAMPLE SET BE FOR NDE RESEARCH ON RPV STEELS
1.	Some databases available, but may need additional characterization <ul style="list-style-type: none"> • ORNL 1990's specimens (un-irradiated & single fluence level, weld, and base metal) • Bob Odette? • ATR Library? • Others?
2.	Parameters – Composition <ul style="list-style-type: none"> • High Cu weld metal • Low Cu • Various Ni, Mn, P, Si
3.	Specimen Size
4.	Fluence – Different Levels
5.	Flux – Rate Effects – Different Levels?
6.	Irradiation Temperature, Test Temperature (!room temp to 100C), Time at Temperature
7.	Weld Metal versus Base Metal
8.	Clad
9.	Statistical Design of Experiments to Minimize Number of Samples
ITEM	GROUP 2: IS THE NDE PROBLEM WITH RESPECT TO RPV A SENSOR, MEASUREMENT, OR CORRELATION PROBLEM
1.	Sensor Standpoint – Indications are that the electromagnetic physics may work – Barkhausen Noise
2.	Non-Linear ultrasonic show promise
3.	The physics are there; No new sensors need to be developed, but optimization will be required
4.	Measurement results require signal processing, and they must be more robust for field work
5.	Improvements in accuracy, repeatability, sensitivity are required especially for infant technologies
6.	Root cause effects for each measurement result in variations for each techniques which needs to be understood
7.	It is necessary to decouple sensitivity variable to achieve correlation to final data desired
8.	Allows a multi-variant / multi-physics approach to the problem
9.	Assuming changes in microstructure after irradiation are related to changes in the physical property of fracture toughness. Might be other players.
ITEM	GROUP 3: WHAT ARE THE TWO OR THREE MOST PROMISING NDE TECHNIQUES TO DETECT EMBRITTLEMENT AND RVP CRACKING
1.	Nonlinear Ultrasonic <ul style="list-style-type: none"> • Why? <ul style="list-style-type: none"> ○ Demonstrated in lab that it is effective • What are benefits/drawback? <ul style="list-style-type: none"> ○ Benefits: <ul style="list-style-type: none"> ▪ Is sensitive to radiation damage in RPV materials ○ Drawbacks: <ul style="list-style-type: none"> ▪ May be difficult to deploy ▪ Repeatability ▪ Understanding total volumetric effects

2.	<p>Eddy Current for detecting near surface embrittlement</p> <ul style="list-style-type: none">• Why?<ul style="list-style-type: none">○ Radiation damage mechanism is propagated from the inside• What are benefits/drawbacks?<ul style="list-style-type: none">○ Benefits:<ul style="list-style-type: none">▪ Established technology; ease of use○ Drawbacks:<ul style="list-style-type: none">▪ Uncertain understanding of effects of cladding to vessel interface
----	---

C.4. CONCLUSION

Following the breakout sessions, which lasted about two hours (including working lunch time); the groups reconvened and discussed the work that was done by each group. As part of these discussions, votes were held on the various proposals submitted by each group to help prioritize where efforts would best be focused. Table C.3 provides a summary of the voting results. Of the proposals presented, there was significant overlap in the scope of work for several of the projects. In discussions with Cyrus Smith, four primary topics came to the forefront based on the topics and voting results and are listed in order of priority below. While there are several nuances associated with each, it is expected that these topics would cover the majority of concerns expressed by the meeting participants.

NDE measurements must measure RPV steel properties which can be correlated to fracture toughness. (30 votes)

A comprehensive and well characterized irradiated RPV steel sample set for NDE research needs to be assembled. (23 votes)

NDE Techniques utilized for RPV embrittlement determination must provide information on embrittlement throughout the depth of the RPV. (38 votes)

NDE techniques utilized for RPV embrittlement determination may need to be made at temperatures other than room temperature. (18 votes)

Table C.3. Voting results of topics proposed during workshop

ITEM	PROPOSAL DESCRIPTION	RESULTS OF VOTE
GROUP 1		
1.	Detection of Microstructure Defects as a Function of Depth	12
2.	Measurements to Resolve/Identify Radiation Induced Features and Understand Volume Effect of Measurement Versus Localized Measurement	18
3.	Evaluate Fracture Toughness Models for Linkage Between Microstructure and Fracture Toughness	5
4.	Understand Flaws and Their Impact on Microstructure	0
GROUP 2		
1.	Adequacy of Current Models to Address Up to 80 Years RPV Life Predictions	13
2.	Micro-Crack Detection in Welds	9
3.	Crack Detection Under Pressure Vessel Cladding to Address Pressurized Thermal Shock (PTS)	7
4.	NDE Techniques to Qualify RPV Toughness Through the Weld Thickness	7
5.	Comprehensive and Well Characterized Material Sample Set for RPV NDE Studies	2
GROUP 3		
1.	Detection of Microstructure Defects as a Function of Depth	13
2.	Mechanical Properties at ¼ to ¾ Thickness	6
3.	Correlate the Models for Microstructure Conditions as a Function of Measurement Techniques	12
4.	Develop Well Characterized Samples with Different Levels of Radiation Damage	21
5.	Develop Platform for Testing Various NDE Sensors	10